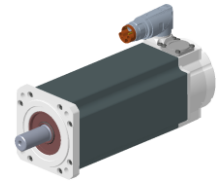


Enquiry N°: 1743

Created by: DB / Approved by: RD

SERVO MOTOR

089UDA300DAFFC



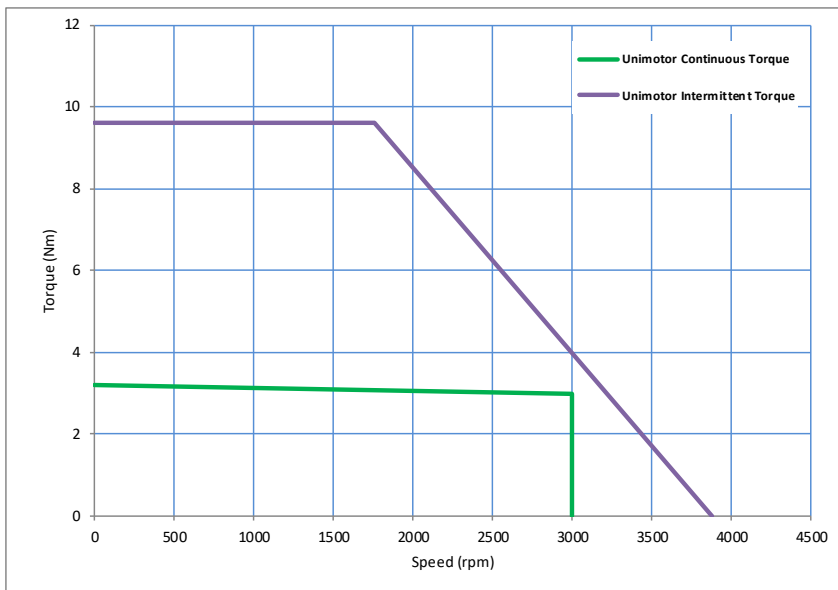
Definition

Type	Unimotor HD	
Frame Size (mm)	089	
Voltage	U	400V
Magnet type	D	High Dynamic
Frame Length	A	
Speed (min ⁻¹)	30	3000
Brake	0	Un-braked
Connection type	D	Single Cable, Power and Signal combined, 90° rotatable
Output shaft	A	with output key
Feedback device code	FF	FF - Inductive EnDat Single-Turn (ECI 1319 FS)
Inertia & thermistor	C	Standard inertia + KTY thermistor
PCD	100	100 (FF 100/80)
Shaft Diameter	190	19j6 x 40.0
Fan Box	-	
Insulation class	F	
UL Motor / UL Stator	UL Stator	

Nominal characteristics

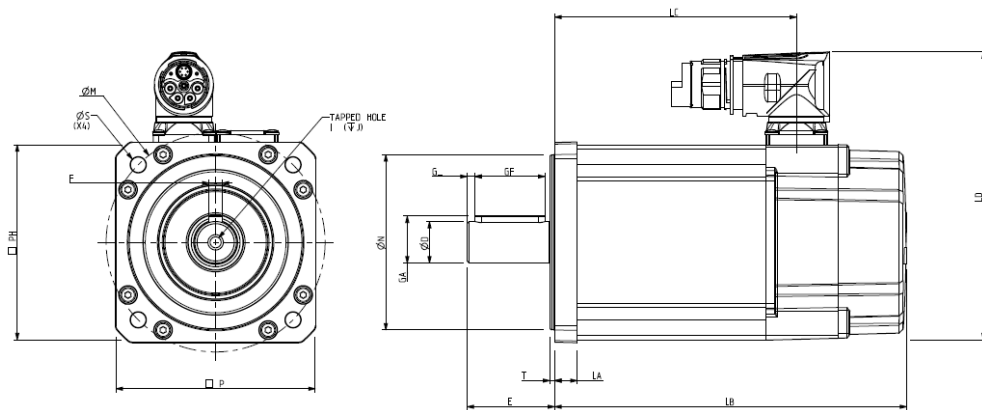
Motor Ambient Temperature (°C)	40	Drive Fsw (kHz)	12
Motor Stall Torque (Nm)	3.2	Stall Current (A)	2.0
Rated Torque (Nm)	3.0	Nominal Current (A)	1.88
Motor Peak Torque (Nm)	9.6	Kt (Nm/A)	1.6
Rated Power (kW)	0.94	Ke (V/kmin ⁻¹)	98.0
Winding Thermal Time Constant (s)	85	R (ph-ph) (Ohm)	10.1
Number of Poles	10	L (ph-ph) (mH)	65.2
Maximum Cogging (Nm)	0.05		
Inertia (kg.cm ²)	0.87	Weight (kg)	3.3
Ingress Protection Level (IP)	IP65		

Torque / speed graph



SERVO MOTOR

Motors (° & mm)

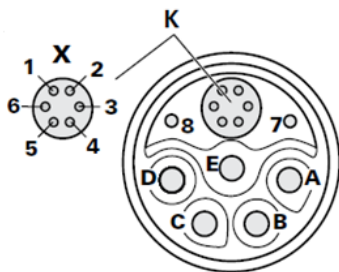


LB	Total length	147.8
LC	Power connector position	110.5
LA	Flange thickness	10.3
T	Register Length	2.2
N	Register Diameter	80.0
LD	Connector overall height	130.5
P	Flange Square	91.0
S	Fixing Hole Diameter	7.0
M	Fixing hole PCD	100.0
PH	Motor Housing Width	89.0
D	Shaft Diameter	19j6
E	Shaft Length	40.0
GA	Key Height	21.5
GF	Key Length	32.0
G	Key to Shaft End	3.7
F	Key Width	6.0
I	Tapped Hole Thread Size	M6 x 1.0
J	Tapped Hole Depth	17.0
	Mounting Bolt	M6

Motor electrical interface Connectors option:

Feedback device code: FF - Inductive EnDat Single-Turn (ECI 1319 FS)

Connection type: D – Single Cable, Power and Signal combined, 90° rotatable



Power

A - Phase U
 B - Phase V
 C - Phase W
 D - -
 E - Ground
 7 - Brake (if req'd)
 8 - Brake (if req'd)-
 Shell - Screen

Signal

1 - + Volts
 2 - 0 Volts
 3 - + Data
 4 - -Data
 5 - + Clock
 6 - -Clock
 Shell - Screen