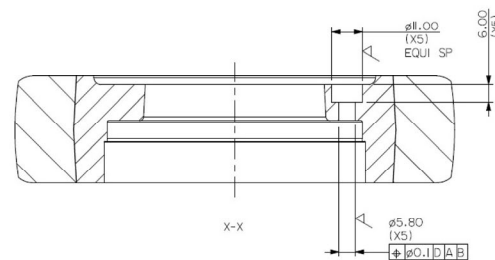
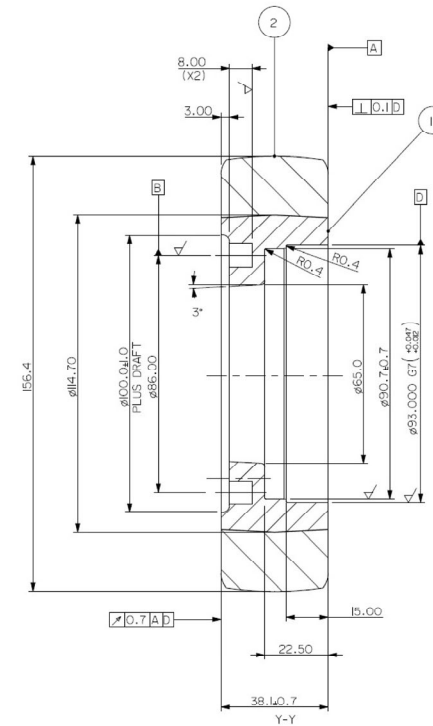
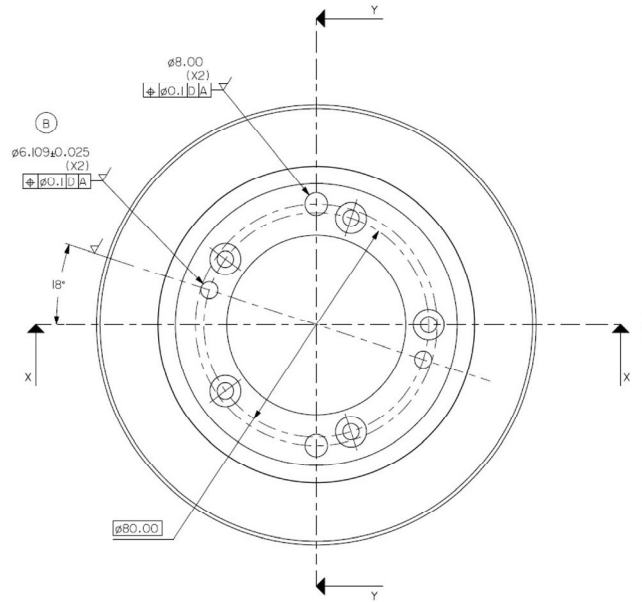


# AGV Wheel Specifications



**Material: HT200 Cast Iron/Rubber**  
**Type: Thermoset Castable Polyester Based MDI Polyurethane**  
**Finish: Black, adhesion to meet ASTM D-3359 3B.**