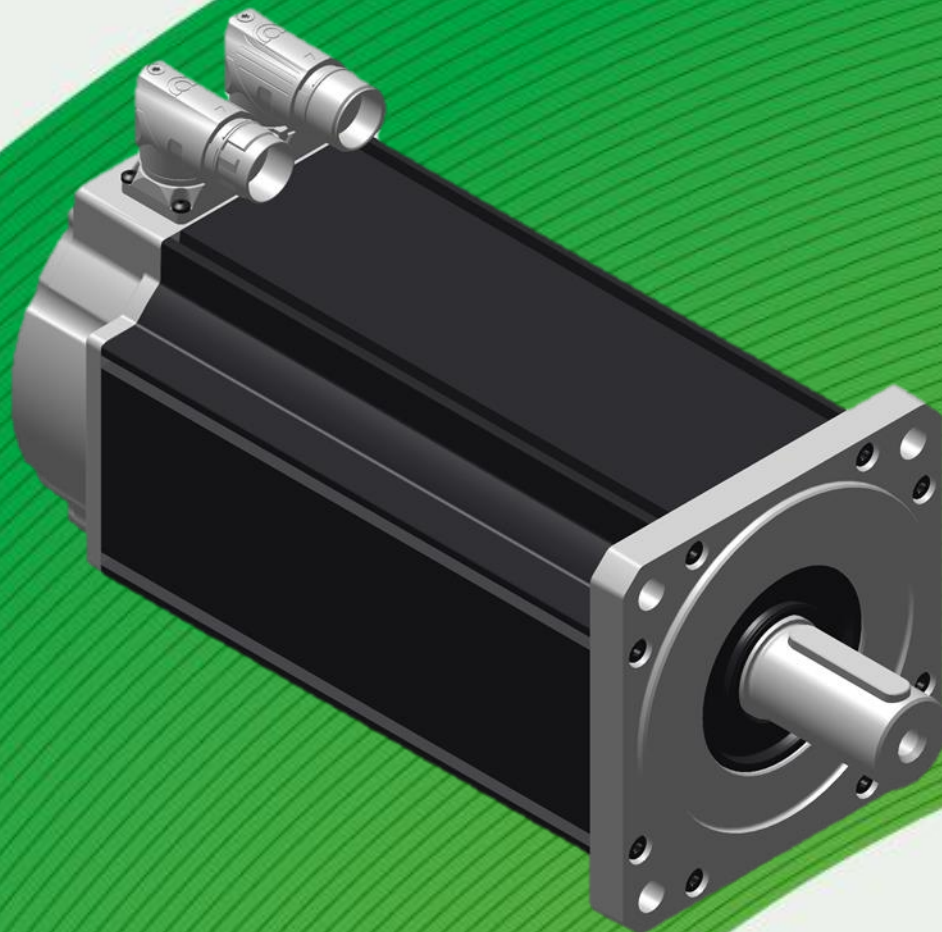




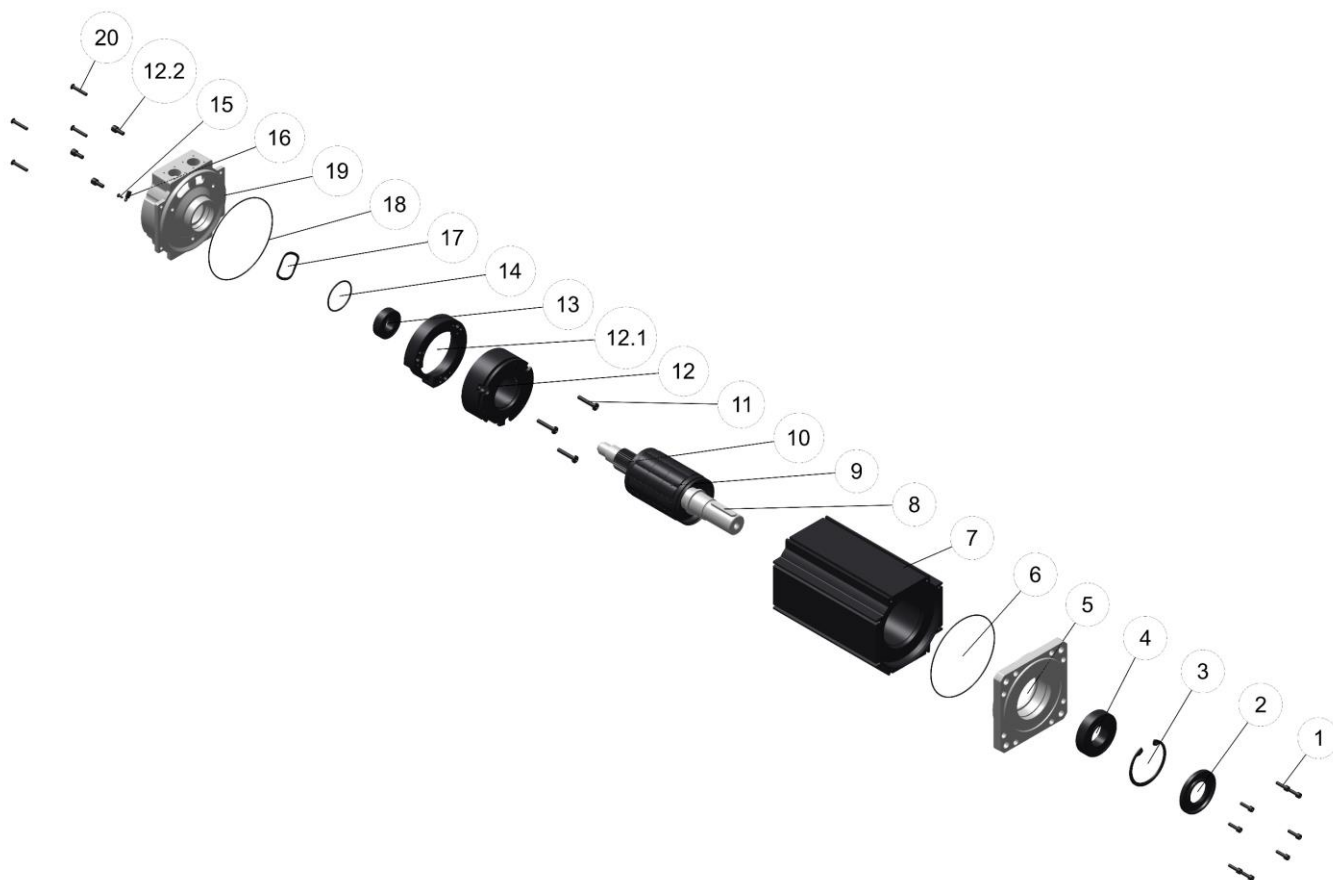
ARCoE – Aftersales Sheet

142HD



SERVO MOTOR - 142UD

1



Components

Tag	Torque	Item	Description	Qty	Tool
1	5.7 Nm	1000314194	6169198 > SCREW M5X30 CAP TORX TT	8	TD193
1		1000026493	6554164 > WASHER SPR SQ SECT S/COIL M5	8	
2		1000027132	6620604 > LIPSEAL 35X72X7 VITON+SPRING	1	
3		1000026322	6542506 > CIRCLIP BEVELLED N1302-0281A	1	
4		4211119	SINGLE ROW DEEP GROOVE CAPPED BALL-BEARING 6207ZZ-M.SH-C3-LUG23	1	
5		1000322199	IM/0520/MC/01 > FEF 142-T 165PCD NO BRACKET	1	
6		1000313995	6623808 > O RING 133X2.0 N70 (142U2)	1	
7				1	
8		1000001875	IM/0045/MC/05 > KEY OUTPUT 10X8X50	1	
9				1	
10		1000321317	IM/0256/MI/04 > BRAKE HUB 142HD 1EB035-1157 - type 5	1	
10		1000005789	IM/0363/MI/07 > BRAKE HUB 142 HD S&G 1-23-2601-B261 - type 6	1	
11	2.5 Nm	1000308522	6110029 > SCREW M4X30 PAN TORX TT - type 5	3	TD181
11	8.9 Nm	1000307599	6110010 > SCREW M6X35 PAN TORX TT - type 6	3	TD157
12		1000005543	6462065 > BRAKE 16.0 Nm 96 PCD 115/142 BRAKE - type 6	1	
12		1000311988	6461379 > BRAKE 42Nm FAILSAFE - type 5	1	
12.1		1000321442	IM/0523/MC > BRAKE PLATE SPACER REF 142 HD - type 6	1	
12.1		1000321442	IM/0523/MC > BRAKE PLATE SPACER REF 142 HD - type 5	1	
12.2	8.9 Nm	1000004536	6172687 > SCREW M6 x 16 PAN TORX TT BZP - type 6	3	TD157
12.2	8.9 Nm	1000321444	6172423 > SCREW M6X16 CAP TORX TT+SP WSH BZP OR SELF COLOUR - type6	3	TD157
13		40009914	BEARING 47X20X14 SINGLE ROW DEEP GROOVE CAPPED BALL-BEARING 6204ZZ-M.SH-C3-LUG23	1	T731-3
14		1000311500	6623859 > O RING 46.5X2.5	1	
15	1.0 Nm	1000024035	6161529 > SCREW M3X8 PAN TORX TT	1	T10
		1000026472	6553567 > WASHER M3 HELICAL SPRING LOCK	1	
16		1000001405	IM/0004/EL/01 > LEAD EARTH TAG ASSY COMPLETE 150mm 16 AWG	1	
17		1000026541	6555357 > WASHER PRELOAD 46.5X38.5X5.0	1	
18		1000313995	6623808 > O RING 133X2.0 N70 (142U2)	1	
19		1000322197	IM/0521/MC/01 > REF 142-T RES-ENC NO BRACKET	1	
20	5.7 Nm	1000000340	6167608 > SCREW M5X30 CSK TORX TT BZP	4	TD193

SERVO MOTOR - 142UD

2

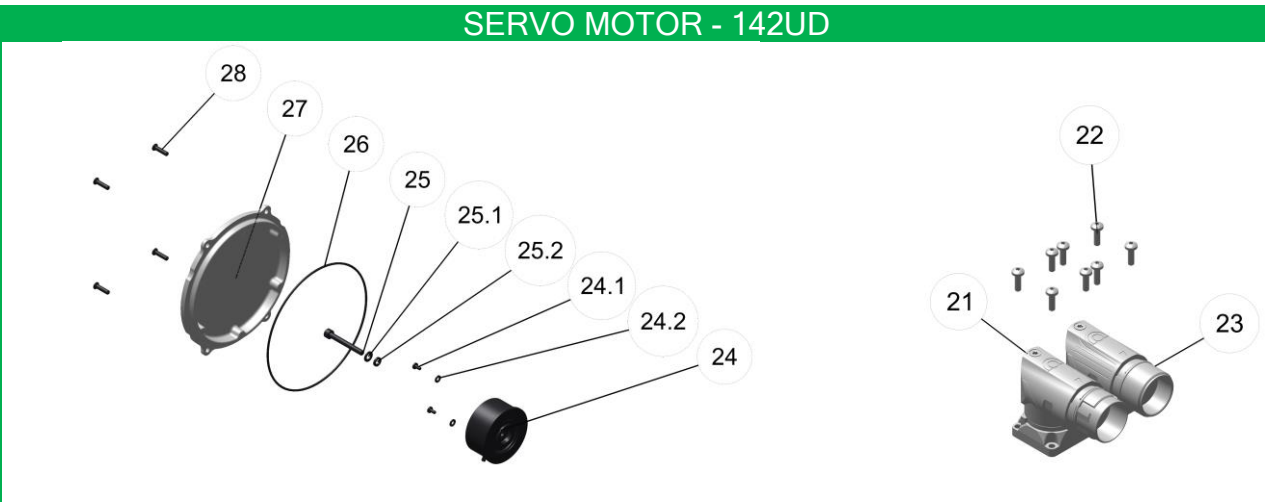


Components - Incremental Encoder Feedback CA - Resolver mount

Tag	Torque	Item	Description	Qty	Tool
21		1000318073	IM/0458/SA/65 > CONNECTOR ASSY SIG RA R	1	
22	1.2 Nm	1000307714	6161677 > SCREW M3X10 PAN TORX TT	8	T10
23		1000318071	IM/0458/SA/54 > CONNECTOR ASSY PWR RA R BR	1	
24		1000004351	8901716 > ENCODER SICK CFS50 4096 5PP RESOLVER MOUNT PLUG IN SHAFT	1	
24.3	1.2 Nm	1000024035	6161529 > SCREW M3X8 PAN TORX TT		T10
24.4		1000004337	IM/0640/MC > ADAPTER ENCODER MOUNT RES SICK CFS50 HD/U3		
24.5		1000001041	IM/0323/MI > SHAFT INSERT TAPERED PPS RESIN		
25.1	1.2 Nm	1000024036	6161537 > SCREW M3X6 PAN TORX TT	1	T10
25.2		1000005230	6162924 > WASHER FLAT M3 TYPE M BZP	1	
26		1000315430	6623743 > O RING 110X2.0 N70	2	
27		1000005350	IM/0116/CA > REAR COVER CAST 142 HD/U3 NO LOGO	1	
28	2.7 Nm	1000310664	6110118 > SCREW M4X16 CSK TORX TT	1	T20

SERVO MOTOR - 142UD

3

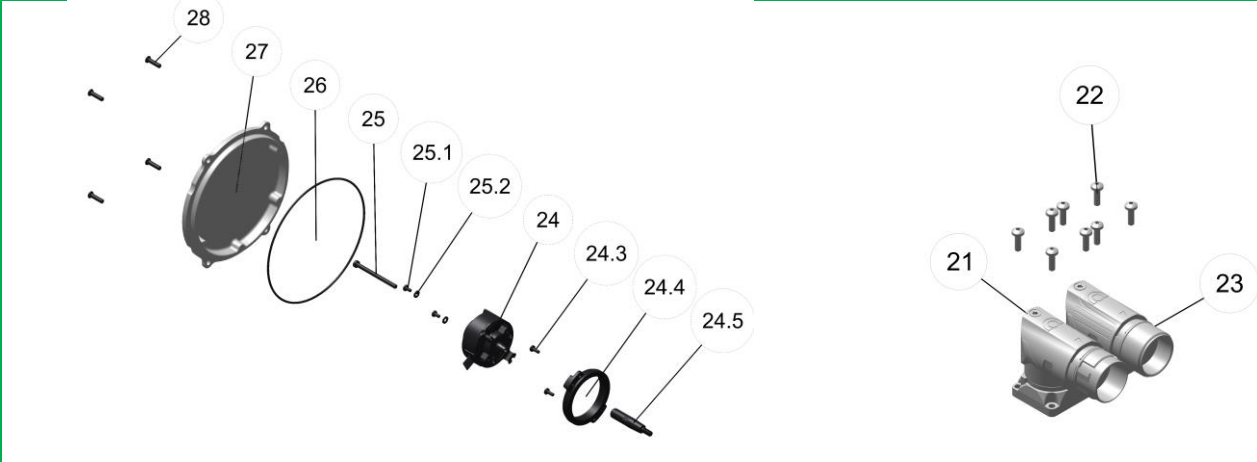


Components - Resolver Feedback AE

Tag	Torque	Item	Description	Qty	Tool
21		1000318073	IM/0458/SA/65 > CONNECTOR ASSY SIG RA R	1	
22	1.2 Nm	1000307714	6161677 > SCREW M3X10 PAN TORX TT	8	T10
23		1000318071	IM/0458/SA/54 > CONNECTOR ASSY PWR RA R BR	1	
24		1000318674	IM/0092/EL/02 > LEAD RESOLVER 12W INSERT 075 - 190	1	
24.1	1.2 Nm	1000024036	6161537 > SCREW M3X6 PAN TORX TT	2	T10
24.2		1000005230	6162924 > WASHER FLAT M3 TYPE M BZP	2	
25	5 Nm	1000318868	6167500 > SCREW M5X40 SOCKET CAP CARBON STEEL GRADE 12.9 BZP	1	TD183
25.1		1000026491	6554148 > WASHER PLAIN M5 FORM C 12.5x5.3x1.0 BZP	1	
25.1		1000026493	6554164 > WASHER SPR SQ SECT S/COIL M5	1	
26		1000315430	6623743 > O RING 110X2.0 N70	1	
27		1000005350	IM/0116/CA > REAR COVER CAST 142 HD/U3 NO LOGO	1	
28	2.7 Nm	1000310664	6110118 > SCREW M4X16 CSK TORX TT	4	T20

SERVO MOTOR - 142UD

4

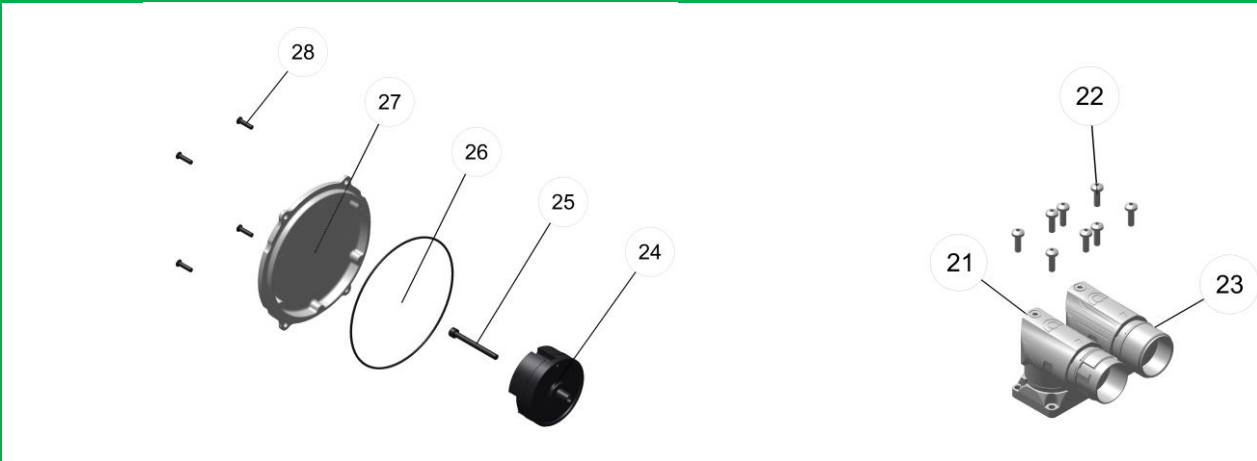


Components - Incremental Encoder Feedback CA - taper mount

Tag	Torque	Item	Description	Qty	Tool
21		1000318073	IM/0458/SA/65 > CONNECTOR ASSY SIG RA R	1	
22	1.2 Nm	1000307714	6161677 > SCREW M3X10 PAN TORX TT	8	T10
23		1000318071	IM/0458/SA/54 > CONNECTOR ASSY PWR RA R BR	1	
24		1000317944	8901139 > ENCODER CFS50 4096 10P-T	1	
24.1		1000000023	6162908 > WASHER FLAT M3 OD6.0	1	
24.2	1.2 Nm	1000024035	6161529 > SCREW M3X8 PAN TORX TT	2	T10
24.4		1000317936	IM/0229/MI > ADAPTER ENCODER CFS50 MOUNT	1	
24.5	5 Nm	1000317937	IM/0460/MC > STUB SHAFT CFS50 TAPER ADAPTER	1	
25	3.1 Nm	1000318868	6167500 > SCREW M5X40 SOCKET CAP CARBON STEEL GRADE 12.9 BZP	1	
25		1000026491	6554148 > WASHER PLAIN M5 FORM C 12.5x5.3x1.0 BZP	1	
25		1000026493	6554164 > WASHER SPR SQ SECT S/COIL M5	1	
25.1	1.2 Nm	1000024036	6161537 > SCREW M3X6 PAN TORX TT	1	T10
26		1000315430	6623743 > O RING 110X2.0 N70	1	
27		1000005350	IM/0116/CA > REAR COVER CAST 142 HD/U3 NO LOGO	1	
28	2.7 Nm	1000310664	6110118 > SCREW M4X16 CSK TORX TT	4	T20

SERVO MOTOR - 142UD

5

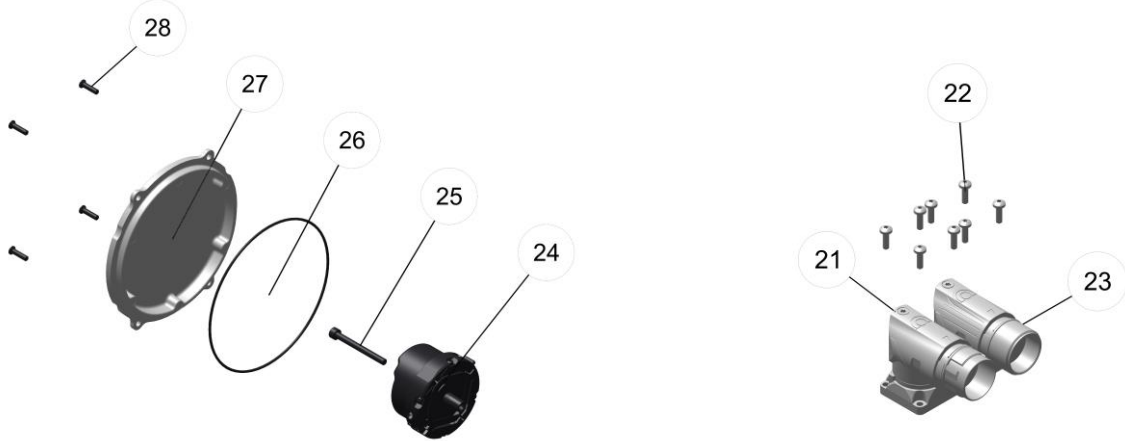


Components - Inductive EndDat SinCos Multi-turn Feedback EC

Tag	Torque	Item	Description	Qty	Tool
21		1000318073	IM/0458/SA/65 > CONNECTOR ASSY SIG RA R	1	
22	1.2 Nm	1000307714	6161677 > SCREW M3X10 PAN TORX TT	8	T10
23		1000318071	IM/0458/SA/54 > CONNECTOR ASSY PWR RA R BR	1	
24		1000000835	8901511 > ENCODER EQI 1331 GEN 2.5 MULTI TAPER WITH INCREMENTAL CHANNELS	1	
25	4 Nm	1000320998	6167489 > SCREW M5x50 CAP HEX HD ExI1300	1	TD239
	0.3 Nm	-	Cam	1	TD146/TD099
	-	-	Cover		TD137
26		1000315430	6623743 > O RING 110X2.0 N70	1	
27		1000005350	IM/0116/CA > REAR COVER CAST 142 HD/U3 NO LOGO	1	
28	2.7 Nm	1000310664	6110118 > SCREW M4X16 CSK TORX TT	4	T20

SERVO MOTOR - 142UD

6

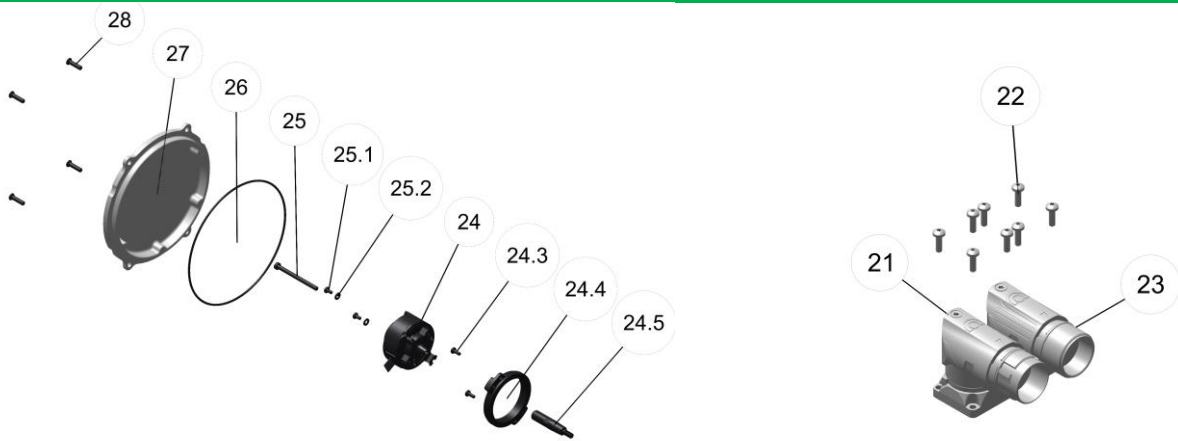


Components - Optical EnDat SinCos Single-turn Feedback EB

Tag	Torque	Item	Description	Qty	Tool
21		1000318073	IM/0458/SA/65 > CONNECTOR ASSY SIG RA R	1	Tool
22	1.2 Nm	1000307714	6161677 > SCREW M3X10 PAN TORX TT	8	T10
23		1000318071	IM/0458/SA/54 > CONNECTOR ASSY PWR RA R BR	1	
24	1.2 Nm	1000315347	8901082 > ENCODER HA EQN1325 MULTI TAPER	1	
25		1000320999	6167497 > SCREW M5x50 CAP HEX HD ExN1300 Cam Cover	1	TD239 TD267 TD055
26	4 Nm	1000315430	6623743 > O RING 110X2.0 N70	1	
27		1000005350	IM/01116/CA > REAR COVER CAST 142 HD/U3 NO LOGO	1	
28	2.7 Nm	1000310664	6110118 > SCREW M4X16 CSK TORX TT	4	T20

SERVO MOTOR - 142UD

7



Components - Optical Hiperface SinCos Multi-turn Feedback RA - taper

Tag	Torque	Item	Description	Qty	Tool
21		1000318073	IM/0458/SA/65 > CONNECTOR ASSY SIG RA R	1	
22	1.2 Nm	1000307714	6161677 > SCREW M3X10 PAN TORX TT	8	T10
23		1000318071	IM/0458/SA/54 > CONNECTOR ASSY PWR RA R BR	1	
24		1000319341	8901309 > ENCODER SRM50 TAPER SPR MOUNT	1	
25				1	TD064
25.1	1.2 Nm	1000317945	6110223 > SCREW M3X6 PAN TORX PLAS-FIX	2	T10/TD240
25.2		1000005230	6162924 > WASHER FLAT M3 TYPE M BZP	2	
24.3	1.2 Nm	1000024035	6161529 > SCREW M3X8 PAN TORX TT	2	T10
24.4		1000317936	IM/0229/MI > ADAPTER ENCODER CFS50 MOUNT	1	
24.5		1000317937	IM/0460/MC > STUB SHAFT CFS50 TAPER ADAPTER	1	
26		1000315430	6623743 > O RING 110X2.0 N70	1	
27		1000005350	IM/01116/CA > REAR COVER CAST 142 HD/U3 NO LOGO	1	
28	2.7 Nm	1000310664	6110118 > SCREW M4X16 CSK TORX TT	4	T10

Parts not on the exploded view

Item	Description	Comment
1000311800 1000022003	7582951 > BANDOLIER PINS 5317142 > BOX CARTON 495L x 195W x 250H 24 KILO 0201	BANDOLIER PINS BOX CARTON 495L x 195W x 250H 24 KILO 0201
1000033282 1000022037 1000311140 1000318064 1000315289 1000302179	7585284 > CAP CONNECTOR SIZE 1 BLACK 5320097 > CAP SHAFT 24mm YELLOW IM/0153/MI > CERTIFICATE TEST IND. MOTOR (QUANTITY PER BOX) 7584148 > CONTACT PIN PWR WRE 0.35-2.0MM 7587392 > CONTACT PIN SIGNAL 7571828 > CONTACT SOCKET SIGNAL 1mm	CAP CONNECTOR SIZE 1 BLACK CAP SHAFT 24mm YELLOW CERTIFICATE TEST IND. MOTOR (QUANTITY PER BOX) CONTACT PIN PWR WRE 0.35-2.0MM CONTACT PIN SIGNAL CONTACT SOCKET SIGNAL 1mm
1000321272 1000004058	5270200 > GREASE (LIPSEAL) ANDEROL 783 5270219 > GREASE AEROSHELL 22 (3kg)	GREASE (LIPSEAL) ANDEROL 783 GREASE AEROSHELL 22 (3kg)
1000311798 1000311799	7582943 > INSERT CONN 12W POL 20 7582978 > INSERT CONN 17W POL 0	INSERT CONN 12W POL 20 INSERT CONN 17W POL 0
1000314623 1000002189 1000305906 1000306051 1000319510	IM/0186/MI > LABEL ADDITIONAL INFO WHITE IM/0071/MI > LABEL RATING BLANK U3 & HD 7519893 > LABEL READYPRINT YELLOW 5330262 > LABEL SHAFT WARNING MULTILINGUAL IM/0244/MI/01 > LABEL UNIMOTOR HD + SAFETY	LABEL ADDITIONAL INFO WHITE LABEL RATING BLANK U3 & HD LABEL READYPRINT YELLOW LABEL SHAFT WARNING MULTILINGUAL LABEL UNIMOTOR HD + SAFETY
1000313114 1000318998 1000319347 1000309831 1000319348 1000317834	IM/0059/EL/06 > LEAD ENC EXI1300 EC/FC 115 R/A - 190 IM/0087/EL/05 > LEAD ENC INCR CFS50 115 R/A - 190 IM/0095/EL/04 > LEAD ENC SRS/SRM50 115R 142S 5589967 > LEAD ENCODER ECI1317/EQI1329 5589886 > LEAD ENCODER SICK SRS/M50 5589932 > LEAD FOR SICK CFS50 ENCODER	LEAD ENC EXI1300 EC/FC 115 R/A - 190 LEAD ENC INCR CFS50 115 R/A - 190 LEAD ENC SRS/SRM50 115R 142S LEAD ENCODER ECI1317/EQI1329 LEAD ENCODER SICK SRS/M50 LEAD FOR SICK CFS50 ENCODER
1000317051	IM/0212/MI > MANUAL INSTALLTN UM/FM/HD/ATEX	MANUAL INSTALLTN UM/FM/HD/ATEX
1000032820 1000315683 1000322549 1000302074	7517866 > SLEEVE INS' H/S KYNAR 1.6MM IM/0021/EL/19 > SLEEVING VIDAFLEX 4x180mm IM/0021/EL/25 > SLEEVING VIDAFLEX 7x160mm IM/0021/EL/01 > SLEEVING VIDAFLEX 7x90mm	SLEEVE INS' H/S KYNAR 1.6MM SLEEVING VIDAFLEX 4x180mm SLEEVING VIDAFLEX 7x160mm SLEEVING VIDAFLEX 7x90mm
1000317395	5259363 > SOLDER LEAD FREE 0.7MM	SOLDER LEAD FREE 0.7MM

Repair kits

067-142UD5B/PCON, 067-190UDB/SCON, 142UD/GA, 142UD100/FEF, 142UD/REF, 142UD5/BK.

142UDA300P/HSA, 142UDA300K/HSA, 142UDA306P/HSA, 142UDA306K/HSA,
142UDA600P/HSA, 142UDA600K/HSA, 142UDA606P/HSA, 142UDA606K/HSA,
142UDB300P/HSA, 142UDB300K/HSA, 142UDB306P/HSA, 142UDB306K/HSA,
142UDC300P/HSA, 142UDC300K/HSA, 142UDC306P/HSA, 142UDC306K/HSA,
142UDC600P/HSA, 142UDC600K/HSA, 142UDC606P/HSA, 142UDC606K/HSA.

142UDBCA/SCON, 142UDBEC/SCON, 142UDBEB/SCON, 142UDBRA/SCON
142UDAE/FB, 089-190UDCA/FB, 089-190UDCA/FBR, 089-190UDEB/FB, 089-190UDEB/FB, 089-142UDRA/FB

Connectors components

	Assembly	Shell PN	Screw PN	Black Insert PN	White Insert PN	Brown Insert PN
Power	1000318062	1000000952	1000320816 (1)	1000000939	1000000946	X
	1000318063	1000000953	X	1000000940	1000000947	X
	1000000848	1000000954	1000320816 (1)	1000000939	1000000946	X
	1000000849	1000000955	1000320816 (1)	1000000939	1000000946	X
	1000000850	1000000956	X	1000000940	1000000947	X
	1000320277	1000000957	1000320816 (1)	1000000942	1000000948	X
	1000320182	1000000958	1000320816 (1)	1000000943	1000000949	X
	1000000851	1000000959	1000320816 (1)	1000000942	1000000948	X
	1000000852	1000000960	X	1000000943	1000000949	X
	1000000853	1000000961	1000000398 (X3)	1000000944	1000000950	X
	1000315751	1000000962	X	1000000944	1000000950	X
1000000854	1000000963	X	1000000944	1000000950	X	
Signal	1000318066	1000000964	1000320816 (1)	X	X	1000000945
	1000318067	1000000965	X	X	X	X
	1000000855	1000000966	1000320816 (1)	X	X	1000000945
	1000000856	1000000967	X	X	X	X

Connect with us at:

ctdsales@mail.nidec.com

www.controltechniquesdynamics.com



**CONTROL
TECHNIQUES
DYNAMICS**

© Control Techniques Dynamics Ltd. The information contained in this document is for guidance only and does not form part of any contract. The accuracy cannot be guaranteed as our company have an ongoing process of development and reserve the right to change the specification of their products without notice.

Nidec Control Techniques Limited. Registered Office: The Gro, Newtown, Powys SY16 3BE. Registered in England and Wales. Company Reg. No. 01236886.