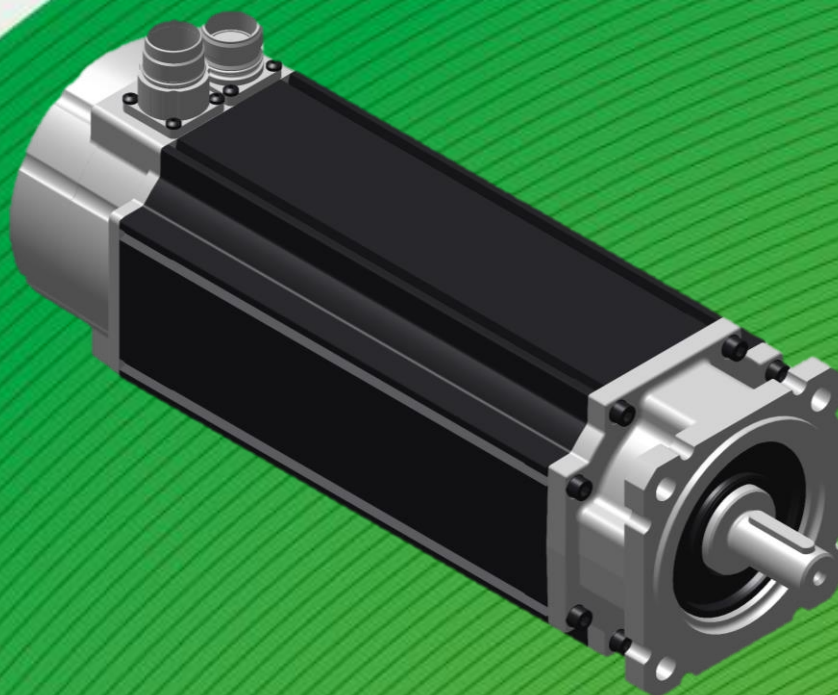


**CONTROL TECHNIQUES  
DYNAMICS**



ARCoE – Aftersales Sheet

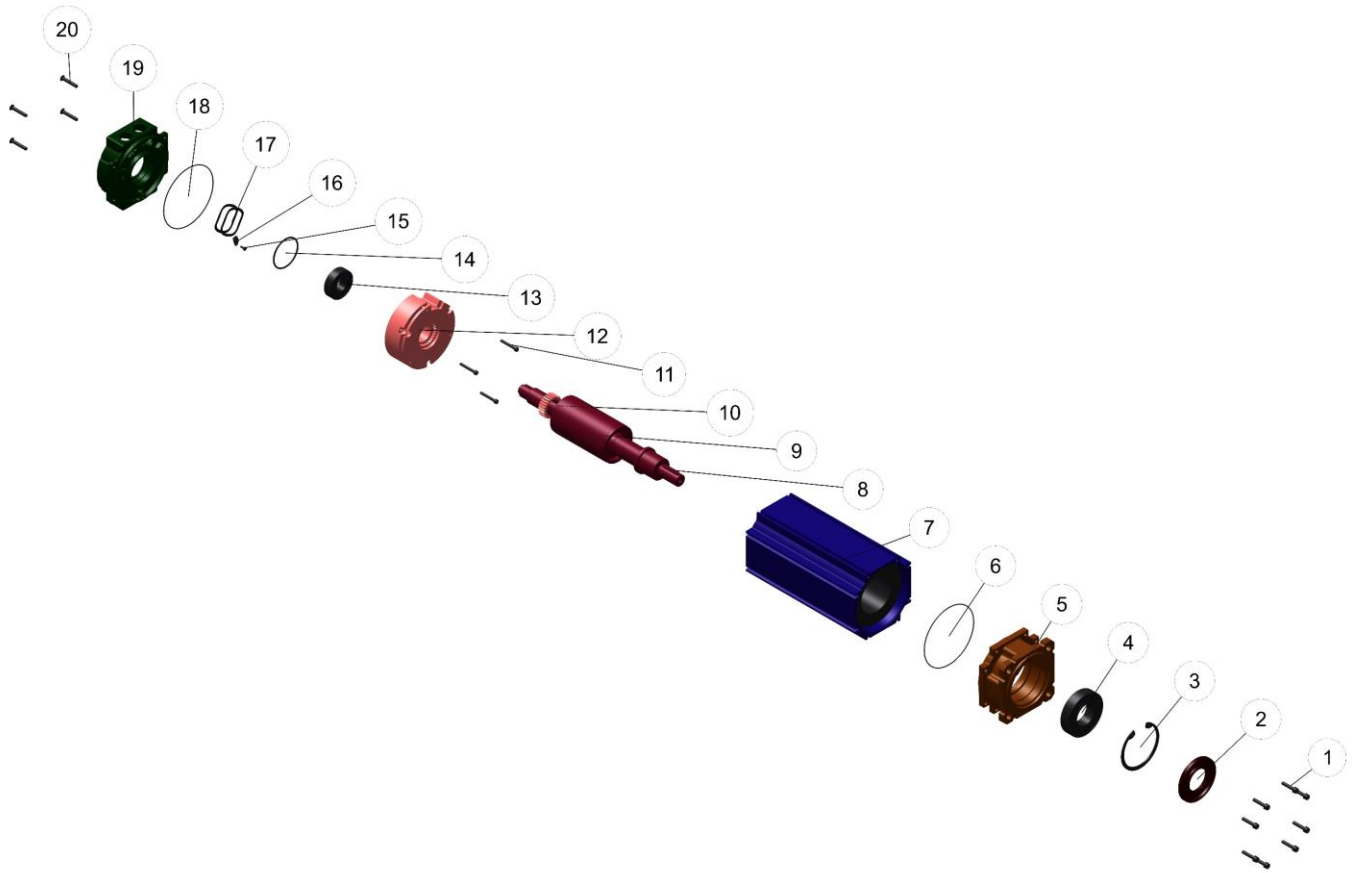
**115fm**





# SERVO MOTOR - 115fm

1



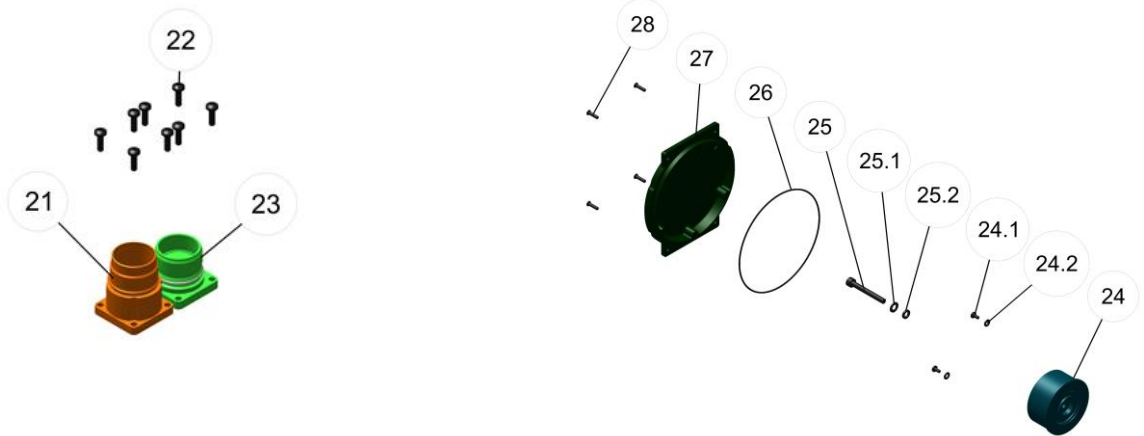
## Components

\*see kit list

Tag	Torque	Item	Description	Qty	Tool
1	5.7 Nm	1000026493	6554164 > WASHER SPR SQ SECT S/COIL M5	8	TD193
2		1000314194	6169198 > SCREW M5X30 CAP TORX TT	8	
3		1000027132	6620604 > LIPSEAL 35X72X7 VITON+SPRING	1	
4		1000026322	6542506 > CIRCLIP BEVELLED N1302-0281A	1	
5		4211119	SINGLE ROW DEEP GROOVE CAPPED BALL-BEARING 6207ZZ-M.SH-C3-LUG23	1	
6	2.5 Nm	1000001873	IM/0576/MC > FEF 115 U3 EXT 115 PCD	1	T20-TD181
7		1000026493	6554164 > WASHER SPR SQ SECT S/COIL M5	8	
8		1000307913	IM/0181/MC > END FRAME FRONT EXT 75	3	
9		1000313994	6623794 > O RING 100X1.5 N70 (115U2)	1	
10		115U3-----/HSA*	115 HOUSING ...	1	
11		1000001873	IM/0045/MC/03 > KEY OUTPUT 6X6X32	1	
12		115U3----115240/RA*	... ROTOR 115...	1	
13		1000001188	IM/0329/MI/03 > BRAKE HUB 115 & 142 U3 - type 5	1	
14		100004333	IM/0256/MI/13 > BRAKE HUB 115 / 142 HD (24 H7 BORE) - type 6	1	
15		1000308522	6110029 > SCREW M4X30 PAN TORX TT	3	
16		1000001187	6461921 > BRAKE 20.0 Nm - type 5	1	
17		1000004323	6461581 > BRAKE 16 Nm 24V 96 PCD - type 6	1	
18		40009914	BEARING 47X20X14 SINGLE ROW DEEP GROOVE CAPPED BALL-BEARING 6204ZZ-M.SH-C3-LUG23	1	
19	1.0 Nm	1000311500	6623859 > O RING 46.5X2.5	1	T10
20		1000024035	6161529 > SCREW M3X8 PAN TORX TT	1	
1		1000026472	6553567 > WASHER M3 HELICAL SPRING LOCK	1	
2		1000001405	IM/0004/EL/01 > LEAD EARTH TAG ASSY COMPLETE 150mm 16 AWG	1	
3		1000026541	6555357 > WASHER PRELOAD 46.5X38.5X5.0	2	
4	5.7 Nm	1000313994	6623794 > O RING 100X1.5 N70 (115U2)	1	TD193
5		1000317728	IM/0451/MC/01 > REF 115-T RES-ENCODER	1	
6		1000000340	6167608 > SCREW M5X30 CSK TORX TT BZP	4	
7					

## SERVO MOTOR - 115fm

2

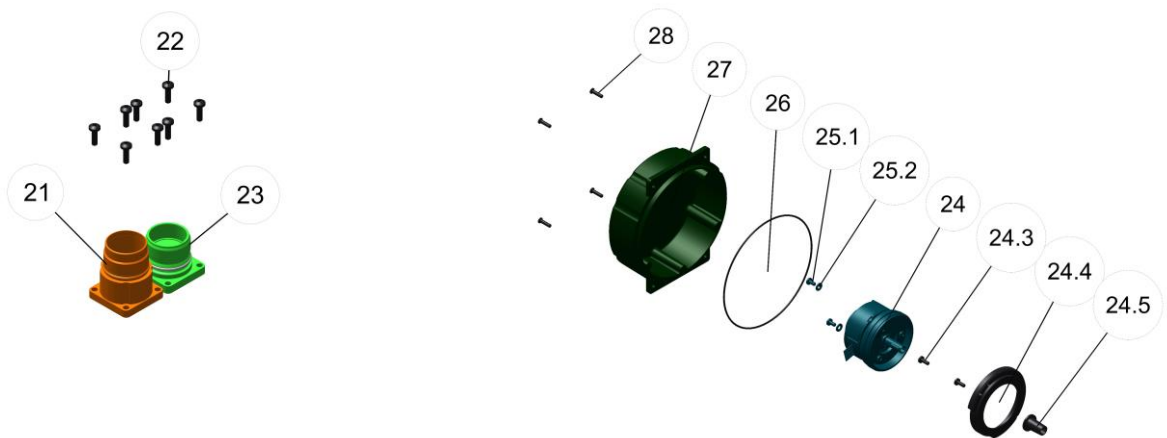


### Components - Resolver Feedback AE

Tag	Torque	Item	Description	Qty	Tool
21		1000318063	7584040 > CONNECTOR HOUSING PWR STRAIGHT	1	
22	1.2 Nm	1000024035	6161529 > SCREW M3X8 PAN TORX TT	8	T10
23		1000318067	7584067 > CONNECTOR HOUSING SIG VERT	1	
24		1000317451	IM/0083/EL > RESOLVER HD & U3 CBORE + RECESS	1	
24.1		1000024036	6161537 > SCREW M3X6 PAN TORX TT	2	T10
24.2		1000005230	6162924 > WASHER FLAT M3 TYPE M BZP	2	
25	5 Nm	1000318868	6167500 > SCREW M5X40 SOCKET CAP CARBON STEEL GRADE 12.9 BZP	1	TD183
25.1		1000026491	6554148 > WASHER PLAIN M5 FORM C 12.5x5.3x1.0 BZP	1	
25.2		1000026493	6554164 > WASHER SPR SQ SECT S/COIL M5	1	
26		1000313994	6623794 > O RING 100X1.5 N70 (115U2)	1	
27		1000005349	IM/0115/CA/03 > REAR COVER CAST 115 HD/U3 RES NO LOGO	1	
28	1.5 Nm	1000308036	6161049 > SCREW M3X12 CSK TORX TT	4	T10 - TD186

## SERVO MOTOR - 115fm

3

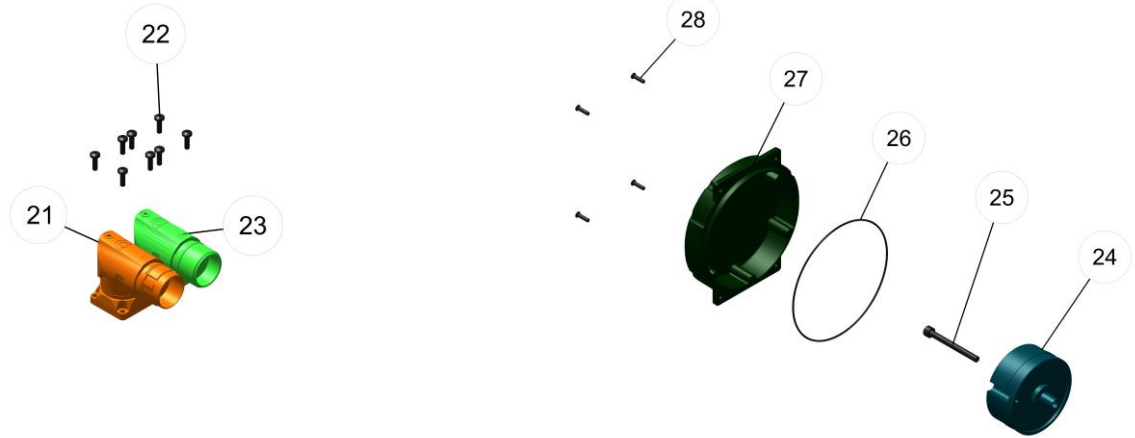


### Components - Incremental Encoder Feedback CA - resolver mount

Tag	Torque	Item	Description	Qty	Tool
21		1000318063	7584040 > CONNECTOR HOUSING PWR STRAIGHT	1	
22	1.2 Nm	1000024035	6161529 > SCREW M3X8 PAN TORX TT	8	T10
23		1000318067	7584067 > CONNECTOR HOUSING SIG VERT	1	
24		1000004349	8901694 > ENCODER SICK CFS50 4096 3PP RESOLVER MOUNT PLUG IN SHAFT	1	
24.3	1.2 Nm	1000024035	6161529 > SCREW M3X8 PAN TORX TT	2	T10
24.4		1000004337	IM/0640/MC > ADAPTER ENCODER MOUNT RES SICK CFS50 HD/U3	1	
24.5		1000001041	IM/0323/MI > SHAFT INSERT TAPERED PPS RESIN	1	
25.1	0.8 Nm	1000024036	6161537 > SCREW M3X6 PAN TORX TT	2	T10
25.2		1000005230	6162924 > WASHER FLAT M3 TYPE M BZP	2	
26		1000313994	6623794 > O RING 100X1.5 N70 (115U2)	1	
27		1000005348	IM/0115/CA/02 > REAR COVER CAST 115 HD/U3 HA SICK NO LOGO	1	
28	1.5 Nm	1000308036	6161049 > SCREW M3X12 CSK TORX TT	4	T10 - TD186

## SERVO MOTOR - 115fm

4

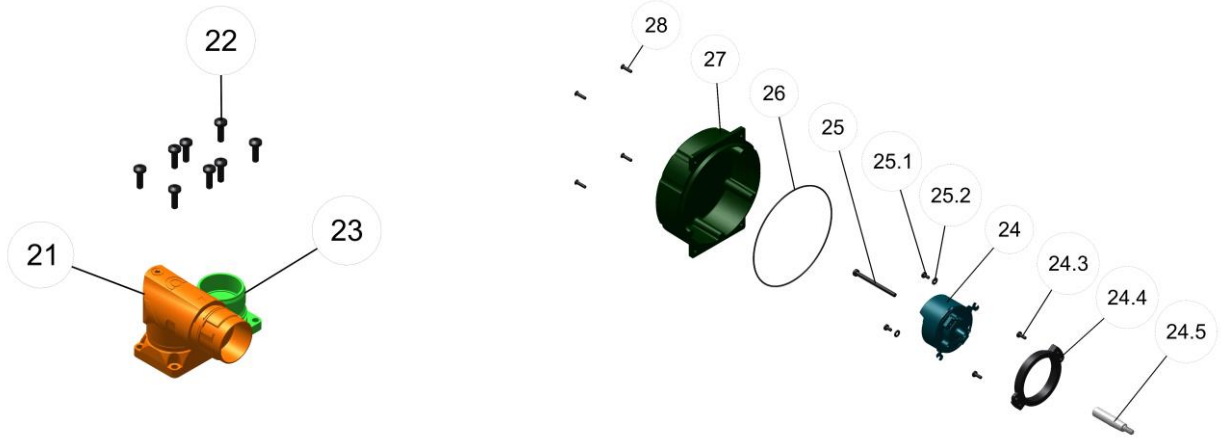


### Components - Inductive EndDat SinCos Multi-turn Feedback EC

Tag	Torque	Item	Description	Qty	Tool
21		1000318062	7584032 > CONNECTOR HOUSING PWR RA ROT	1	
22	1.2 Nm	1000307714	6161677 > SCREW M3X10 PAN TORX TT	8	T10
23		1000318066	7584059 > CONNECTOR HOUSING SIG RA ROT	1	
24		1000000835	8901511 > ENCODER EQI 1331 GEN 2.5 MULTI TAPER WITH INCREMENTAL CHANNELS	1	
25	5 Nm 0.3 Nm/2 Nm 0.4 Nm	1000320998	6167489 > SCREW M5x50 CAP HEX HD ExI1300 Cam Cover	1	TD239 TD 146 / TD099 TD 242
26		1000308017	IM/0113/MI > GASKET 75 REAR COVER	1	
27		1000005347	IM/0115/CA/01 > REAR COVER CAST 115 HD/U3 HH IND NO LOGO	1	
28	1.5 Nm	1000308036	6161049 > SCREW M3X12 CSK TORX TT	1	T10 - TD186

## SERVO MOTOR - 115fm

5



### Components - Optical Hiperface SinCos Multi-turn Feedback RA - taper

Tag	Torque	Item	Description	Qty	Tool
21		1000318062	7584032 > CONNECTOR HOUSING PWR RA ROT	1	
22	1.2 Nm	1000024035	6161529 > SCREW M3X8 PAN TORX TT	4	T10
22	1.2 Nm	1000307714	6161677 > SCREW M3X10 PAN TORX TT	4	T10
23		1000318067	7584067 > CONNECTOR HOUSING SIG VERT	1	
24		1000319341	8901309 > ENCODER SRM50 TAPER SPR MOUNT	1	
24.3	1.2 Nm	1000024035	6161529 > SCREW M3X8 PAN TORX TT	2	T10
24.4		1000317936	IM/0229/MI > ADAPTER ENCODER CFS50 MOUNT	1	
24.5		1000317937	IM/0460/MC > STUB SHAFT CFS50 TAPER ADAPTER	1	TD235
25	3.1 Nm		SINCOS screw with encoder	1	TD064
25.1	0.75 Nm	1000317945	6110223 > SCREW M3X6 PAN TORX PLAS-FIX	2	T10 - TD240
25.2		1000005230	6162924 > WASHER FLAT M3 TYPE M BZP	2	
26		1000313994	6623794 > O RING 100X1.5 N70 (115U2)	1	
27		1000005348	IM/0115/CA/02 > REAR COVER CAST 115 HD/U3 HA SICK NO LOGO	1	
28	1.5 Nm	1000308036	6161049 > SCREW M3X12 CSK TORX TT	4	T10 - TD186



## Parts not on the exploded view

Item	Description	Comment
1000021969	5313031 > BAG POLY' 6" x 3" 500G	BAG POLY' 6" x 3" 500G
1000311800	7582951 > BANDOLIER PINS	BANDOLIER PINS
1000022003	5317142 > BOX CARTON 495L x 195W x 250H 24 KILO 0201	BOX CARTON 495L x 195W x 250H
1000033282	7585284 > CAP CONNECTOR SIZE 1 BLACK	CAP CONNECTOR SIZE 1 BLACK
1000022036	5320089 > CAP SHAFT 19MM	CAP SHAFT 19MM
1000311140	IM/0153/MI > CERTIFICATE TEST IND. MOTOR (QUANTITY PER BOX)	CERTIFICATE TEST IND. MOTOR (Q
1000318064	7584148 > CONTACT PIN PWR WRE 0.35-2.0MM	CONTACT PIN PWR WRE 0.35-2.0MM
1000315289	7587392 > CONTACT PIN SIGNAL	CONTACT PIN SIGNAL
1000302179	7571828 > CONTACT SOCKET SIGNAL 1mm	CONTACT SOCKET SIGNAL 1mm
1000004058	5270219 > GREASE AEROSHELL 22 (3kg)	GREASE AEROSHELL 22 (3kg)
1000311798	7582943 > INSERT CONN 12W POL 20	INSERT CONN 12W POL 20
1000311799	7582978 > INSERT CONN 17W POL 0	INSERT CONN 17W POL 0
1000314623	IM/0186/MI > LABEL ADDITIONAL INFO WHITE	LABEL ADDITIONAL INFO WHITE
1000003497	IM/0347/MI > LABEL FM MOTOR AND MULTI-SYMBOL SAFETY (U3)	LABEL FM MOTOR AND MULTI-SYMB0
1000002189	IM/0071/MI > LABEL RATING BLANK U3 & HD	LABEL RATING BLANK U3 & HD
1000305906	7519893 > LABEL READYPRINT YELLOW	LABEL READYPRINT YELLOW
1000306051	5330262 > LABEL SHAFT WARNING MULTILINGUAL	LABEL SHAFT WARNING MULTILINGU
1000309831	5589967 > LEAD ENCODER ECI1317/EQI1329	LEAD ENCODER ECI1317/EQI1329
1000319348	5589886 > LEAD ENCODER SICK SRS/M50	LEAD ENCODER SICK SRS/M50
1000317834	5589932 > LEAD FOR SICK CFS50 ENCODER	LEAD FOR SICK CFS50 ENCODER
1000317051	IM/0212/MI > MANUAL INSTALLTN UM/FM/HD/ATEX	MANUAL INSTALLTN UM/FM/HD/ATEX
1000032820	7517866 > SLEEVE INS' H/S KYNAR 1.6MM	SLEEVE INS' H/S KYNAR 1.6MM
1000032856	7519869 > SLEEVE INS. H/S VIDAFLEX 7MM	SLEEVE INS. H/S VIDAFLEX 7MM
1000000064	7519850 > SLEEVE INSULATION VIDAFLEX 4MM	SLEEVE INSULATION VIDAFLEX 4MM
1000315683	IM/0021/EL/19 > SLEEVING VIDAFLEX 4x180mm	SLEEVING VIDAFLEX 4x180mm
1000315018	IM/0021/EL/06 > SLEEVING VIDAFLEX 7x70mm	SLEEVING VIDAFLEX 7x70mm
1000322548	IM/0021/EL/24 > SLEEVING VIDAFLEX 7x85mm	SLEEVING VIDAFLEX 7x85mm
1000302074	IM/0021/EL/01 > SLEEVING VIDAFLEX 7x90mm	SLEEVING VIDAFLEX 7x90mm
1000317395	5259363 > SOLDER LEAD FREE 0.7MM	SOLDER LEAD FREE 0.7MM

## Repair kits

075-142U35B/PCON, 075-142U3V/PCON, 075-190U3D/SCON, 075-190U3V/SCON  
115U3/GA, 115U3115/FEF, 115U3/REF, 115U35/BK, 115U36/BK

115U3B200K/HSA, 115U3B200P/HSA, 115U3B206K/HSA, 115U3B206P/HSA  
115U3B300K/HSA, 115U3B300P/HSA, 115U3B306K/HSA, 115U3B306P/HSA  
115U3C200K/HSA, 115U3C200P/HSA, 115U3C206K/HSA, 115U3C206P/HSA  
115U3C300K/HSA, 115U3C300P/HSA, 115U3C306K/HSA, 115U3C306P/HSA  
115U3D200K/HSA, 115U3D200P/HSA, 115U3D206K/HSA, 115U3D206P/HSA  
115U3D300K/HSA, 115U3D300P/HSA, 115U3D306K/HSA, 115U3D306P/HSA

075-190U3AE/FB, 075-190U3EC/FB, 075-190U3FC/FB, 075-095U3CA/FB, 115-190U3RA/FB  
115U3BEC/SCON, 115U3VCA/SCON, 115U3BCA/SCON, 115U3BRA/SCON

## Connectors components

	Assembly	Shell PN	Screw PN	Black Insert PN	White Insert PN	Brown Insert PN
Power	1000318062	1000000952	1000320816 (1)	1000000939	1000000946	X
	1000318063	1000000953	X	1000000940	1000000947	X
	1000000848	1000000954	1000320816 (1)	1000000939	1000000946	X
	1000000849	1000000955	1000320816 (1)	1000000939	1000000946	X
	1000000850	1000000956	X	1000000940	1000000947	X
	1000320277	1000000957	1000320816 (1)	1000000942	1000000948	X
	1000320182	1000000958	1000320816 (1)	1000000943	1000000949	X
	1000000851	1000000959	1000320816 (1)	1000000942	1000000948	X
	1000000852	1000000960	X	1000000943	1000000949	X
	1000000853	1000000961	1000000398 (X3)	1000000944	1000000950	X
1000315751	1000000962	X	1000000944	1000000950	X	
1000000854	1000000963	X	1000000944	1000000950	X	
Signal	1000318066	1000000964	1000320816 (1)	X	X	1000000945
	1000318067	1000000965	X	X	X	X
	1000000855	1000000966	1000320816 (1)	X	X	1000000945
	1000000856	1000000967	X	X	X	X



Connect with us at:

[ctdsales@mail.nidec.com](mailto:ctdsales@mail.nidec.com)

[www.controltechniquesdynamics.com](http://www.controltechniquesdynamics.com)



**CONTROL  
TECHNIQUES  
DYNAMICS**

© Control Techniques Dynamics Ltd. The information contained in this document is for guidance only and does not form part of any contract. The accuracy cannot be guaranteed as our company have an ongoing process of development and reserve the right to change the specification of their products without notice.

Nidec Control Techniques Limited. Registered Office: The Gro, Newtown, Powys SY16 3BE. Registered in England and Wales. Company Reg. No. 01236886.