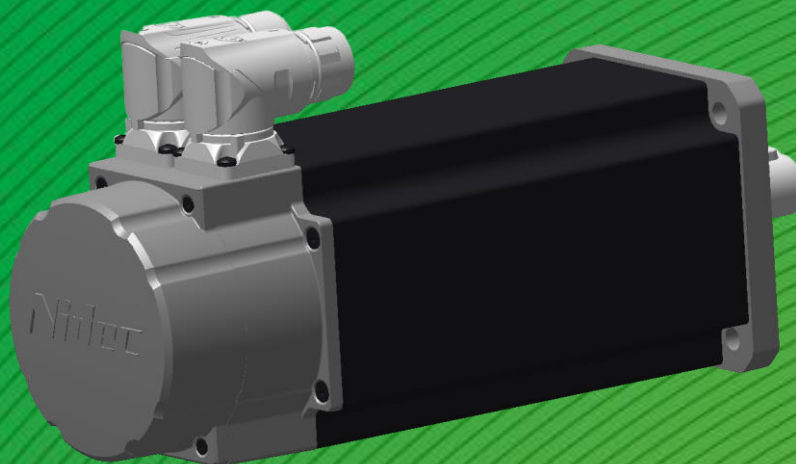


**CONTROL TECHNIQUES
DYNAMICS**

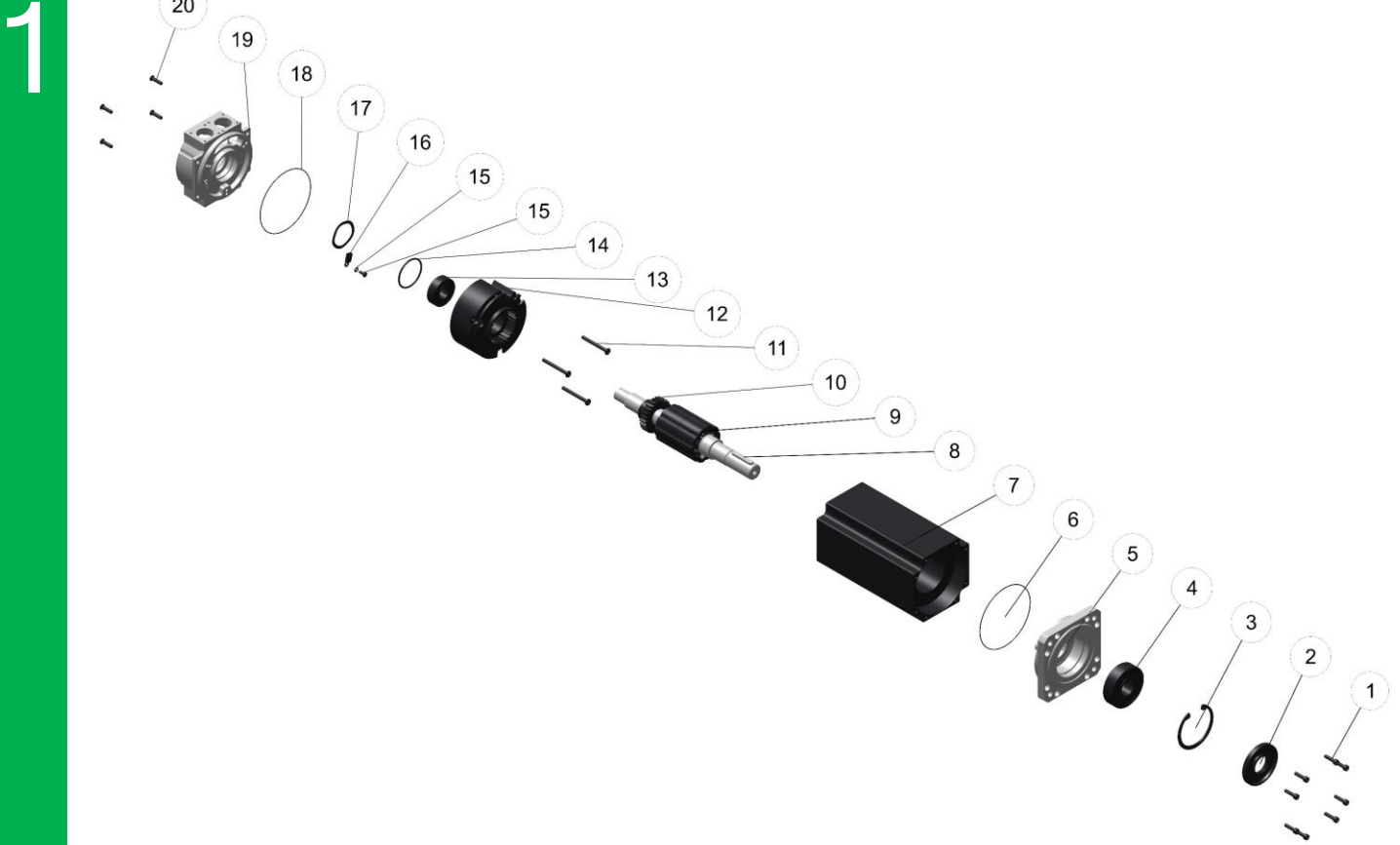


ARCoE – Aftersales Sheet

089HD



SERVO MOTOR - 089UD



Components

Tag	Torque	Item	Description	Qty	Tool
1	2.7 Nm	1000308285	6166776 > SCREW M4X16 CAP TORX TT	8	T20
2		1000317040	6620922 > LIPSEAL 20x52x6 VITON+SPRING	1	
3		1000308271	6542530 > CIRCLIP BEVELLED N1302 0206	1	
4		1000317043	6525326 > BEARING SS 52x20x15 6304ZZ-TOLE-C3 LUG23	1	
5		-1000317722	IM/0448/MC > FEF 89-T 100PCD	1	
		1000317182	IM/0085/CA > FEF 89-T 100PCD CASTING	1	
6		1000320278	6623697 > O RING 80X1 NITRILE 70	1	
7		089?D-----/HSA*	KIT STATOR ASSY HOUSED 089?U -----	1	
8		1000001873	IM/0045/MC/03 > KEY OUTPUT 6X6X32	1	
9	2.5 Nm	089UD----100190/RA*	IM/1140/SA/07 > ROTOR 89B BR OP KEY 19T3 LI - KIT ROTOR ASSY 089 UD -----	1	
10		1000004332	IM/0256/MI/12 > BRAKE HUB 089 HD (19 H7 BORE) - type 6	1	
10		1000319894	IM/0256/MI/02 > BRAKE HUB 089HD 1EB020-1170 - type 5	1	
11		1000024096	6166628 > SCREW M4X40 PAN TORX TT	3	T20
12		1000004332	IM/0256/MI/12 > BRAKE HUB 089 HD (19 H7 BORE) - type 6	1	
12		1000319894	IM/0256/MI/02 > BRAKE HUB 089HD 1EB020-1170 - type 5	1	
13		4373111	SINGLE ROW DEEP GROOVE CAPPED BALL-BEARING "ZZ" TYPE: 6202 - CAGE:M.SHEET - CL.: C3 - GREASE:LUG23	1	
14		1000313324	6623832 > O RING 34X2 NITRYLE 70 SHORE	1	
15	1 Nm	1000024035	6161529 > SCREW M3X8 PAN TORX TT	1	T10
		1000303412	6553575 > WASHER STAR M3	1	
16		1000001405	IM/0004/EL/01 > LEAD EARTH TAG ASSY COMPLETE 150mm 16 AWG	1	
17		1000317357	6555217 > WASHER PRELOAD EMO-X28 = 137N	1	
18		1000320278	6623697 > O RING 80X1 NITRILE 70	1	
19		-1000317724	IM/0449/MC/01 > REF 89-T RES-ENCODER	1	
		1000317183	IM/0086/CA > REF 89-T CASTING	1	
20	2.7 Nm	1000310664	6110118 > SCREW M4X16 CSK TORX TT	4	T20

SERVO MOTOR - 089UD

2

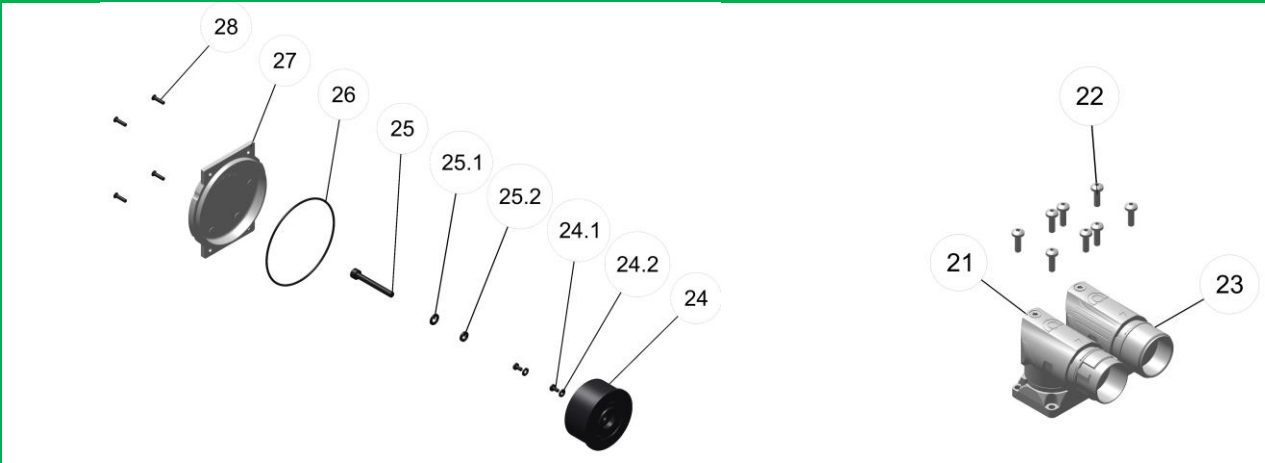


Components - Incremental Encoder Feedback CA - Resolver mount

Tag	Torque	Item	Description	Qty	Tool
21		1000318073	IM/0458/SA/65 > CONNECTOR ASSY SIG RA R	1	
22	1.2 Nm	1000307714	6161677 > SCREW M3X10 PAN TORX TT	8	T10
23		1000318071	IM/0458/SA/54 > CONNECTOR ASSY PWR RA R BR	1	
24		1000004351	8901716 > ENCODER SICK CFS50 4096 5PP RESOLVER MOUNT PLUG IN SHAFT	1	
24.3	1.2 Nm	1000024035	6161529 > SCREW M3X8 PAN TORX TT	1	T10
24.4		1000004337	IM/0640/MC > ADAPTER ENCODER MOUNT RES SICK CFS50 HD/U3	1	
24.5		1000001041	IM/0323/MI > SHAFT INSERT TAPERED PPS RESIN	1	
25.1	1.2 Nm	1000024036	6161537 > SCREW M3X6 PAN TORX TT	1	T10
25.2		1000005230	6162924 > WASHER FLAT M3 TYPE M BZP	1	
26		1000319284	6623700 > O RING 75.92 x 1.78 N70	2	
27		1000005342	IM/0114/CA/03 > REAR COVER CAST 089 RES RENCO NO LOGO	1	
28	1.5 Nm	1000308036	6161049 > SCREW M3X12 CSK TORX TT	1	T10

SERVO MOTOR - 089UD

3



Components - Resolver Feedback AE

Tag	Torque	Item	Description	Qty	Tool
21		1000318073	IM/0458/SA/65 > CONNECTOR ASSY SIG RA R	1	
22	1.2 Nm	1000307714	6161677 > SCREW M3X10 PAN TORX TT	8	T10
23		1000318071	IM/0458/SA/54 > CONNECTOR ASSY PWR RA R BR	1	
24		-1000318674	IM/0092/EL/02 > LEAD RESOLVER 12W INSERT 075 - 190	1	
24.1	1.2 Nm	1000024036	6161537 > SCREW M3X6 PAN TORX TT	1	T10
24.2		1000005230	6162924 > WASHER FLAT M3 TYPE M BZP	2	
25	5 Nm	1000318868	6167500 > SCREW M5X40 SOCKET CAP CARBON STEEL GRADE 12.9 BZP	1	TD239
25.1		1000026491	6554148 > WASHER PLAIN M5 FORM C 12.5x5.3x1.0 BZP	1	
25.2		1000026493	6554164 > WASHER SPR SQ SECT S/COIL M5	1	
26		1000319284	6623700 > O RING 75.92 x 1.78 N70	1	
27		1000005342	IM/0114/CA/03 > REAR COVER CAST 089 RES RENCO NO LOGO	1	
28	1.5 Nm	1000308036	6161049 > SCREW M3X12 CSK TORX TT	4	T10

SERVO MOTOR - 089UD

4

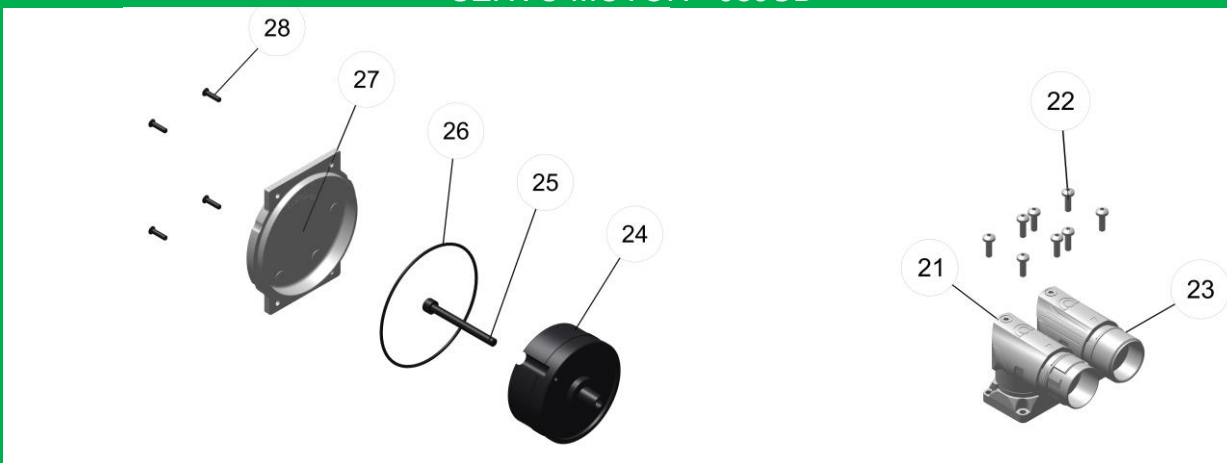


Components - Incremental Encoder Feedback CA - taper mount

Tag	Torque	Item	Description	Qty	Tool
21		1000318073	IM/0458/SA/65 > CONNECTOR ASSY SIG RA R	1	
22	1.2 Nm	1000307714	6161677 > SCREW M3X10 PAN TORX TT	8	T10
23		1000318071	IM/0458/SA/54 > CONNECTOR ASSY PWR RA R BR	1	
24.1		1000000023	6162908 > WASHER FLAT M3 OD6.0	1	
24		1000317944	8901139 > ENCODER CFS50 4096 10P-T	1	
24.3	1.2 Nm	1000024035	6161529 > SCREW M3X8 PAN TORX TT	2	T10
24.4		1000317936	IM/0229/MI > ADAPTER ENCODER CFS50 MOUNT	1	
24.5	5 Nm	1000317937	IM/0460/MC > STUB SHAFT CFS50 TAPER ADAPTER	1	
25	3.1 Nm	1000318868	6167500 > SCREW M5X40 SOCKET CAP CARBON STEEL GRADE 12.9 BZP	1	
25		1000026491	6554148 > WASHER PLAIN M5 FORM C 12.5x5.3x1.0 BZP	1	
25		1000026493	6554164 > WASHER SPR SQ SECT S/COIL M5	1	
25.1	1.2 Nm	1000024036	6161537 > SCREW M3X6 PAN TORX TT	1	T10
26		1000319284	6623700 > O RING 75.92 x 1.78 N70	1	
27		1000005341	IM/0114/CA/02 > REAR COVER CAST 089 SICK NO LOGO	1	
28	1.5 Nm	1000308036	6161049 > SCREW M3X12 CSK TORX TT	4	T10

SERVO MOTOR - 089UD

5

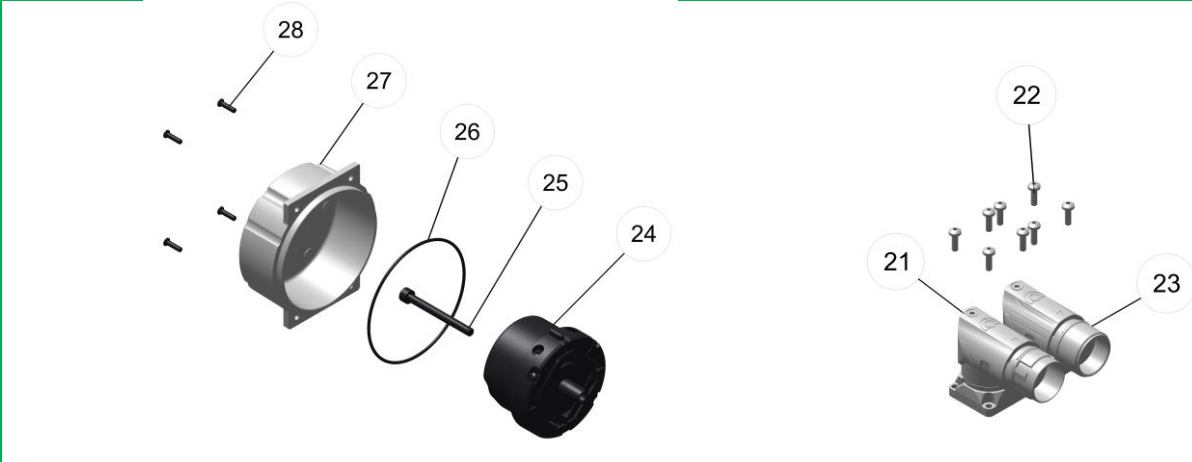


Components - Inductive EndDat SinCos Multi-turn Feedback EC

Tag	Torque	Item	Description	Qty	Tool
21		1000318073	IM/0458/SA/65 > CONNECTOR ASSY SIG RA R	1	
22	1.2 Nm	1000307714	6161677 > SCREW M3X10 PAN TORX TT	8	T10
23		1000318071	IM/0458/SA/54 > CONNECTOR ASSY PWR RA R BR	1	
24		1000000835	8901511 > ENCODER EQI 1331 GEN 2.5 MULTI TAPER WITH INCREMENTAL CHANNELS	1	
25	5 Nm 0.3 Nm/2 Nm 0.4 Nm	1000320998	6167489 > SCREW M5x50 CAP HEX HD Ex11300 Cam Cover	1	TD239 TD 146 / TD099 TD 242
26		1000319284	6623700 > O RING 75.92 x 1.78 N70	1	
27		1000005340	IM/0114/CA/01 > REAR COVER CAST 089 HH IND NO LOGO	1	
28	1.5 Nm	1000308036	6161049 > SCREW M3X12 CSK TORX TT	4	T10

6

SERVO MOTOR - 089UD



Components - Optical EnDat SinCos Single-turn Feedback EB

Tag	Torque	Item	Description	Qty	Tool
21		1000318073	IM/0458/SA/65 > CONNECTOR ASSY SIG RA R	1	Tool
22	1.2 Nm	1000307714	6161677 > SCREW M3X10 PAN TORX TT	8	T10
23		1000318071	IM/0458/SA/54 > CONNECTOR ASSY PWR RA R BR	1	
24	1.2 Nm	1000315347	8901082 > ENCODER HA EQN1325 MULTI TAPER	1	
25	5 Nm	1000320999	6167497 > SCREW M5x50 CAP HEX HD ExN1300	1	TD239
	1.1 Nm		Clamp		TD267
	3 Nm		Cover		TD054
26		1000319284	6623700 > O RING 75.92 x 1.78 N70	1	
27		1000005341	IM/0114/CA/02 > REAR COVER CAST 089 SICK NO LOGO	1	
28	1.5 Nm	1000308036	6161049 > SCREW M3X12 CSK TORX TT	4	T10

7

SERVO MOTOR - 089UD



Components - Optical Hiperface SinCos Multi-turn Feedback RA - taper

Tag	Torque	Item	Description	Qty	Tool
21		1000318073	IM/0458/SA/65 > CONNECTOR ASSY SIG RA R	1	Tool
22	1.2 Nm	1000307714	6161677 > SCREW M3X10 PAN TORX TT	8	T10
23		1000318071	IM/0458/SA/54 > CONNECTOR ASSY PWR RA R BR	1	
24		1000319341	8901309 > ENCODER SRM50 TAPER SPR MOUNT	1	
24.3	1.2 Nm	1000024035	6161529 > SCREW M3X8 PAN TORX TT	2	T10
24.4		1000317936	IM/0229/MI > ADAPTER ENCODER CFS50 MOUNT	1	
24.5	5 Nm	1000317937	IM/0460/MC > STUB SHAFT CFS50 TAPER ADAPTER	1	TD235
25	3.1 Nm		SINCOS screw with encoder	1	TD064
25.1	0.75 Nm	1000317945	6110223 > SCREW M3X6 PAN TORX PLAS-FIX	2	T10 - TD240
25.2		1000005230	6162924 > WASHER FLAT M3 TYPE M BZP	2	
26		1000319284	6623700 > O RING 75.92 x 1.78 N70	1	
27		1000005341	IM/0114/CA/02 > REAR COVER CAST 089 SICK NO LOGO	1	
28	1.5 Nm	1000308036	6161049 > SCREW M3X12 CSK TORX TT	4	T10

Parts not on the exploded view

Item	Description	Comment
1000021969	5313031 > BAG POLY" 6" x 3" 500G	BAG POLY" 6" x 3" 500G
1000311800	7582951 > BANDOLIER PINS	BANDOLIER PINS
1000022002	5317134 > BOX CARTON 495L x 150W x 180H 12 KILO 0201	BOX CARTON 495L x 150W x 180H
1000033282	7585284 > CAP CONNECTOR SIZE 1 BLACK	CAP CONNECTOR SIZE 1 BLACK
1000022036	5320089 > CAP SHAFT 19MM	CAP SHAFT 19MM
1000311140	IM/0153/MI > CERTIFICATE TEST IND. MOTOR (QUANTITY PER BOX)	CERTIFICATE TEST IND. MOTOR (Q
1000318064	7584148 > CONTACT PIN PWR WRE 0.35-2.0MM	CONTACT PIN PWR WRE 0.35-2.0MM
1000315289	7587392 > CONTACT PIN SIGNAL	CONTACT PIN SIGNAL
1000301823	7587236 > CONTACT PIN SIGNAL INTERCONTEC: 61.004.11	CONTACT PIN SIGNAL INTERCONTEC
1000302179	7571828 > CONTACT SOCKET SIGNAL 1mm	CONTACT SOCKET SIGNAL 1mm
1000321272	5270200 > GREASE (LIPSEAL) ANDEROL 783	GREASE (LIPSEAL) ANDEROL 783
1000004058	5270219 > GREASE AEROSHELL 22 (3kg)	GREASE AEROSHELL 22 (3kg)
1000311798	7582943 > INSERT CONN 12W POL 20	INSERT CONN 12W POL 20
1000311799	7582978 > INSERT CONN 17W POL 0	INSERT CONN 17W POL 0
1000314623	IM/0186/MI > LABEL ADDITIONAL INFO WHITE	LABEL ADDITIONAL INFO WHITE
1000002189	IM/0071/MI > LABEL RATING BLANK U3 & HD	LABEL RATING BLANK U3 & HD
1000318185	IM/0234/MI > LABEL RATING UNIMOTOR HD & U3	LABEL RATING UNIMOTOR HD & U3
1000305906	7519893 > LABEL READYPRINT YELLOW	LABEL READYPRINT YELLOW
1000306051	5330262 > LABEL SHAFT WARNING MULTILINGUAL	LABEL SHAFT WARNING MULTILINGU
1000319510	IM/0244/MI/01 > LABEL UNIMOTOR HD + SAFETY	LABEL UNIMOTOR HD + SAFETY
1000313111	IM/0059/EL/03 > LEAD ENC EXI1300EC/FC 075 - 115 V	LEAD ENC EXI1300EC/FC 075 - 11
1000317947	IM/0087/EL/02 > LEAD ENC INCR CFS50 075 - 115 V	LEAD ENC INCR CFS50 075 - 115
1000320167	IM/0095/EL/02 > LEAD ENC SRS/SRM50 067 075 089 095 R/A	LEAD ENC SRS/SRM50 067 075 089
1000317051	IM/0212/MI > MANUAL INSTALLTN UM/FM/HD/ATEX	MANUAL INSTALLTN UM/FM/HD/ATEX
1000032820	7517866 > SLEEVE INS' H/S KYNAR 1.6MM	SLEEVE INS' H/S KYNAR 1.6MM
1000315684	IM/0021/EL/20 > SLEEVING VIDAFLEX 4x70mm	SLEEVING VIDAFLEX 4x70mm
1000315679	IM/0021/EL/15 > SLEEVING VIDAFLEX 7x25mm	SLEEVING VIDAFLEX 7x25mm
1000315018	IM/0021/EL/06 > SLEEVING VIDAFLEX 7x70mm	SLEEVING VIDAFLEX 7x70mm
1000322548	IM/0021/EL/24 > SLEEVING VIDAFLEX 7x85mm	SLEEVING VIDAFLEX 7x85mm
1000317395	5259363 > SOLDER LEAD FREE 0.7MM	SOLDER LEAD FREE 0.7MM

Repair kits

067-142UD5B/PCON, 067-190UDB/SCON, 089UD/GA, 089UD100/FEF, 089UD/REF, 089UD5/BK.

089UDA300P/HSA, 089UDA300K/HSA, 089UDA306P/HSA, 089UDA306K/HSA, 089UDA600P/HSA, 089UDA600K/HSA, 089UDA606P/HSA, 089UDA606K/HSA, 089UDB300P/HSA, 089UDB300K/HSA, 089UDB306P/HSA, 089UDB306K/HSA, 089UDC300P/HSA, 089UDC300K/HSA, 089UDC306P/HSA, 089UDC306K/HSA, 089UDC600P/HSA, 089UDC600K/HSA, 089UDC606P/HSA, 089UDC606K/HSA.

089UDBCA/SCON, 089UDBEC/SCON, 089UDBEB/SCON, 089UDBRA/SCON, 089UDAE/FB, 089-190UDCA/FB, 089-190UDCA/FBR, 089-190UDECFB, 089-190UDEB/FB, 089-115UDRA/FB

Connectors components

	Assembly	Shell PN	Screw PN	Black Insert PN	White Insert PN	Brown Insert PN
Power	1000318062	1000000952	1000320816 (1)	1000000939	1000000946	X
	1000318063	1000000953	X	1000000940	1000000947	X
	1000000848	1000000954	1000320816 (1)	1000000939	1000000946	X
	1000000849	1000000955	1000320816 (1)	1000000939	1000000946	X
	1000000850	1000000956	X	1000000940	1000000947	X
	1000320277	1000000957	1000320816 (1)	1000000942	1000000948	X
	1000320182	1000000958	1000320816 (1)	1000000943	1000000949	X
	1000000851	1000000959	1000320816 (1)	1000000942	1000000948	X
	1000000852	1000000960	X	1000000943	1000000949	X
	1000000853	1000000961	1000000398 (X3)	1000000944	1000000950	X
	1000315751	1000000962	X	1000000944	1000000950	X
	1000000854	1000000963	X	1000000944	1000000950	X
Signal	1000318066	1000000964	1000320816 (1)	X	X	1000000945
	1000318067	1000000965	X	X	X	X
	1000000855	1000000966	1000320816 (1)	X	X	1000000945
	1000000856	1000000967	X	X	X	X

Connect with us at:

ctdsales@mail.nidec.com

www.controltechniquesdynamics.com



**CONTROL
TECHNIQUES
DYNAMICS**

© Control Techniques Dynamics Ltd. The information contained in this document is for guidance only and does not form part of any contract. The accuracy cannot be guaranteed as our company have an ongoing process of development and reserve the right to change the specification of their products without notice.

Nidec Control Techniques Limited. Registered Office: The Gro, Newtown, Powys SY16 3BE. Registered in England and Wales. Company Reg. No. 01236886.