

Product Data Sheet for 158mm frame motor


Version 1.0

Motor Performance data at Δt 100°C. Maximum ambient 40 °C			
All data subject to +/- 10% tolerance		Kt,Ke and stall current stated at a 20°C motor temperature	
Standard Peak Torque (Nm)	37.2	Rated Torque (Nm) @ 300rpm	13.7
Continuous Stall Torque (Nm)	14.3	Rated Power (kW) @ 300rpm	0.4
Stall Current (A)	2.4	Rated Torque (Nm) @ 800rpm	12.8
Kt (Nm/A)	6.0	Rated Power (kW) @ 800rpm	1.1
Ke (V/krpm)	368	Number of poles	16
Standard Inertia (kgcm ²)	22.9	Resistance (Ohms)	21.4
Unbraked Motor Weight (kg)	TBA	Inductance (mH)	144.0
Feedback device	N/A		
Encoder set	N/A		
Thermal Monitoring Thermistor Type	KTY84-130		
Motor Rated Voltage	480V AC		
Max. DC Voltage between Terminals	680V DC		
UL insulation system file number	E214439 - (designated CL.F)		

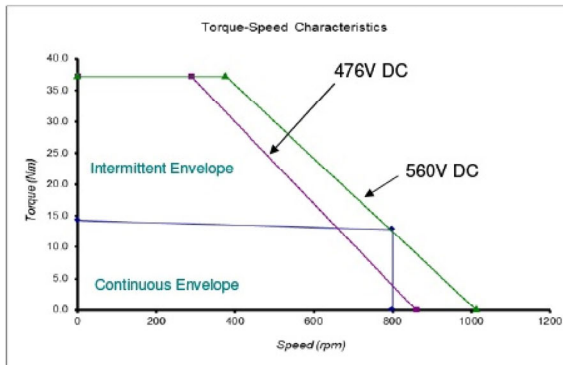
Customer reference	
Project	HP Anafa
Axis	Drum
Number of motors per machine	?
Date issued	12/05/2014

Radial Force	Axial Force
N/A	N/A

Bearings	
Front	Rear
N/A	N/A

Connector Details			
Power connector 8 way		BEDC 110 NN 00 00 0101 000	
Rotatable	Pin	Description	Function
	1	U	Motor connection U
	4	V	Motor connection V
	3	W	Motor connection W
	2	PE	Protective ground conductor
	A	T+	Temperature +
	B	T-	Temperature -
	C	-	-
	D	-	-

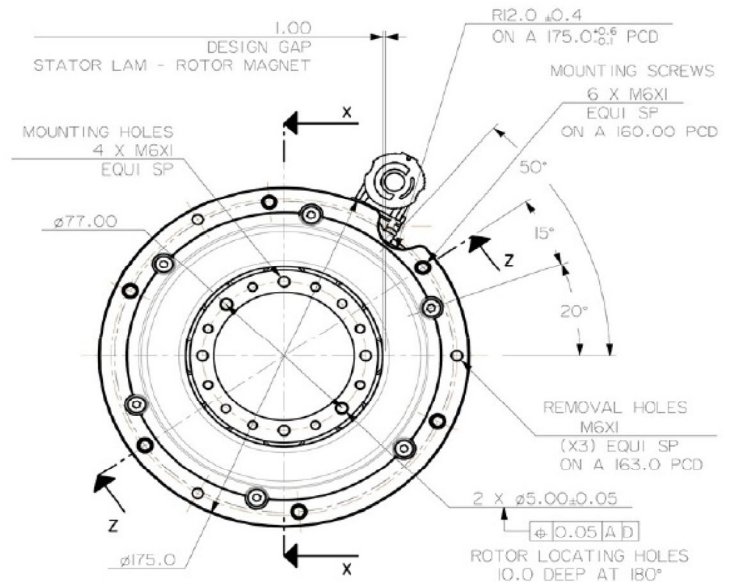
Performance graph



Dimensional Information

NOTES:

1. USE 4 X M6 HOLES FOR HANDLE ATTACHMENT. MAX THREAD ENGAGEMENT 10mm



M6 captive screws to be used in 6 holes on 160mm PCD - Screws provided by CTD.

The information contained in this data sheet is for guidance only and does not form part of any contract. Control Techniques Dynamics is not responsible for any errors or omissions and reserves the right to change the specification without notice.