

Enquiry N°: 880

Created by: DB / Checked by: PP

SERVO MOTOR 089LDA15XFGCJG100620-SGV1

AGV Solution Motor + Gearbox + Wheel + Brake



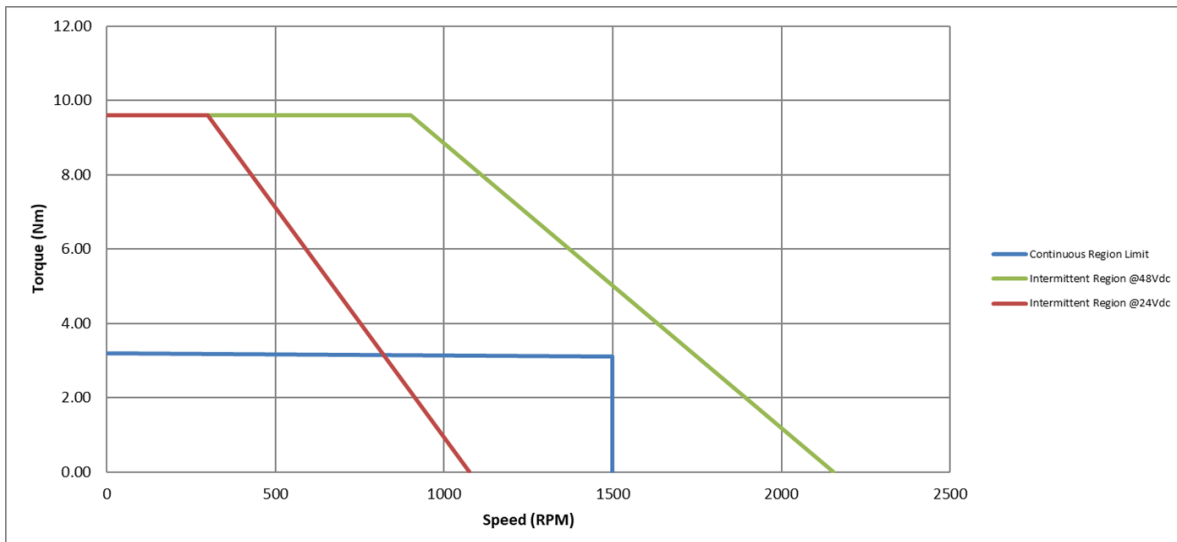
Definition

Type	Unimotor HD	
Frame Size (mm)	089	
Voltage	L	40-50V DC
Magnet type	D	D - High dynamic
Frame Length	A	
Speed (min-1)	15	1500 @ 48V – 750rpm @24V
Brake	X	Braked
Connection type	F	Integrated Flying Cable
Output shaft	G	Integrated Gearbox Shaft
Feedback device code	CJ	CJ – Renco R35i encoder 4096 5PP push-pull comms
Inertia & thermistor	G	G – standard inertia + no thermistor
PCD (Gbox)	100	100 (Gear box)
Shaft Diameter	620	G BOX output
Insulation class	F	
UL Motor / UL Stator	UL Stator	

Nominal characteristics

Motor Ambient Operating Temperature (°C)	0 to 40	Motor Ambient Storage Temperature (°C)	-15 to 40
Motor Peak Torque (Nm)	9.6		
Motor Stall Torque (Nm)	3.2	Stall Current	13.0
Rated Torque (Nm)	3	Rated Current (A)	12.7
Rated Power (kW) @ 48V	0.5	Rated Power (kW) @ 24V	0.25
Winding Thermal Time Constant (s)	93	Kt (Nm/A)	0.24
Number of Poles	10	Ke (V/kmin-1)	15.17
Maximum Cogging (Nm)	0.1	R (ph-ph) (Ohm)	0.26
Inertia Motor + GBox (kg.cm ²)	6.5	L (ph-ph) (mH)	1.64
Ingress Protection Level (IP)	40	Weight (kg) Motor + gearbox	6.5
Intermittent Torque (Nm)	4.8 (S3 Duty)		
Intermittent Power (kW)	0.7 (S3 Duty)	Intermittent Current (A)	20.25 (S3 Duty)
Brake	06 Type	Static Torque (N.m)	4
Release Time (ms)	<150ms	Backlash (°)	TBA
Brake Supply Voltage (V)	24	Brake Coil Power (W)	15

Motor Torque / speed graph



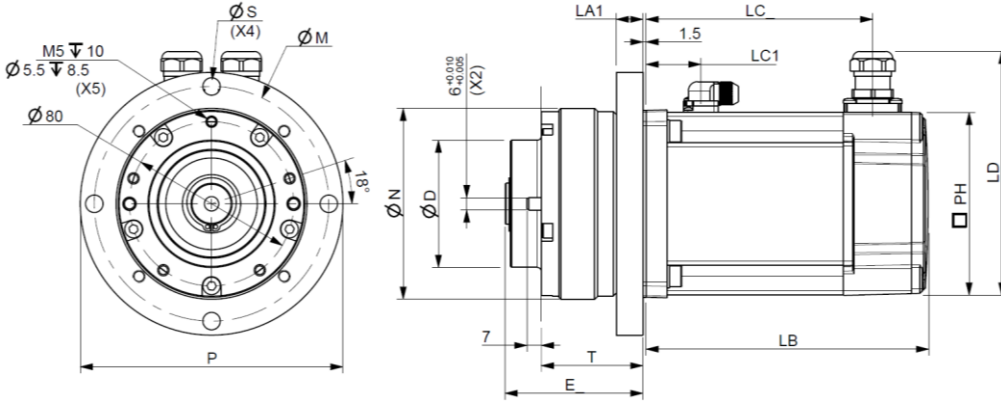
Version V1.0

The information contained in this data-sheet is for guidance only and does not form part of any contract. The accuracy cannot be guaranteed as our company have an ongoing process of development and reserve the right to change the specification of their products without notice.

Control Techniques Dynamics Limited. Registered Office: South Way, Andover, Hampshire, SP12 5AB, UK. Registered in England and Wales. Company Reg. No 741360

SERVO MOTOR 089LDA15XFGCJG100620-SGV1

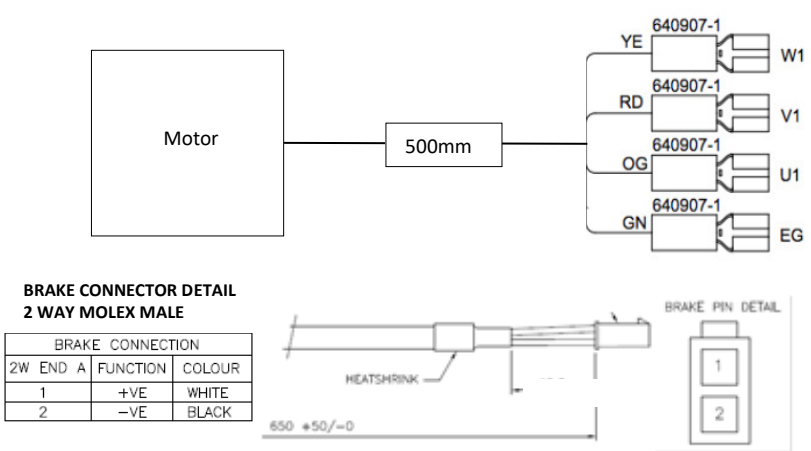
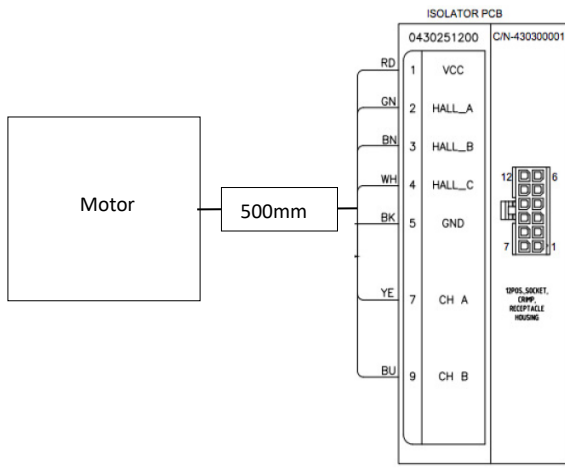
Motors (° & mm)



LB	Motor Total length	137.8±1
LC	Gland position	110.5±1
LA1	Flange thickness	13±0.1
T	Register Length	49.5±0.1
N	GBox Clearance Dia	93 h7
LD	Connector overall height	119±1
P	Flange GBox Dia	128
S	Fixing Hole Diameter	8.5
M	Fixing hole PCD	114.3
PH	Motor Housing Width	89±0.3
E	GBox Length	67.2
D	GBox Register Diameter	62±0.07
LC1	Brake Connector position	20.8±0.4
	Motor+Gbox Total Length	206.5
	Mounting Bolt	M8

Motor electrical interface Flying leads option:

Feedback device code:						Connection type:		
CJ – Renco R35i encoder 4096 5PP push-pull comms								
1	Red	Power	7	Yellow	CH A	1	U	Red (x 1)
2	Green	HALL A	8		-	2	V	Orange (x 1)
3	Brown	HALL B	9	Blue	CH B	3	W	Yellow (x 1)
4	White	HALL C	10			4	Earth	Green/Yellow (x 1)
5	Black	GND	11					
6	Red		12					
Signal Cable (28 AWG): 500mm (from gland to customer end) 12-Way MOLEX Connector 43025-1200						Power Cable: 500mm (from gland to customer end) 4 cores of 16 AWG UL wire, with polyolefin heat shrink sleeve Spade terminals fitted to lead wires		



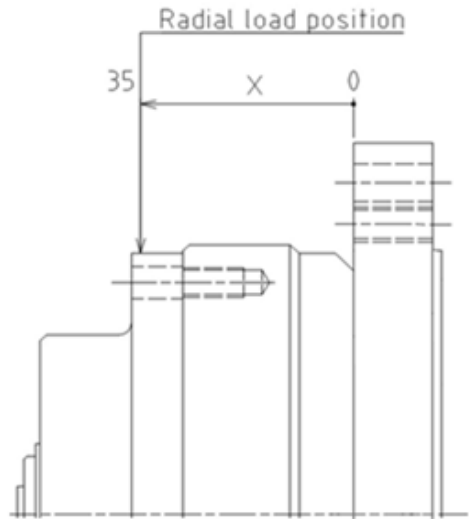
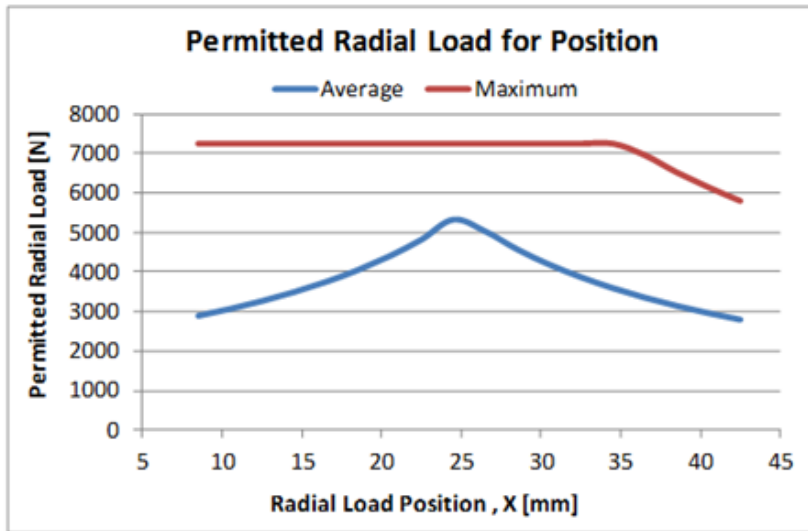
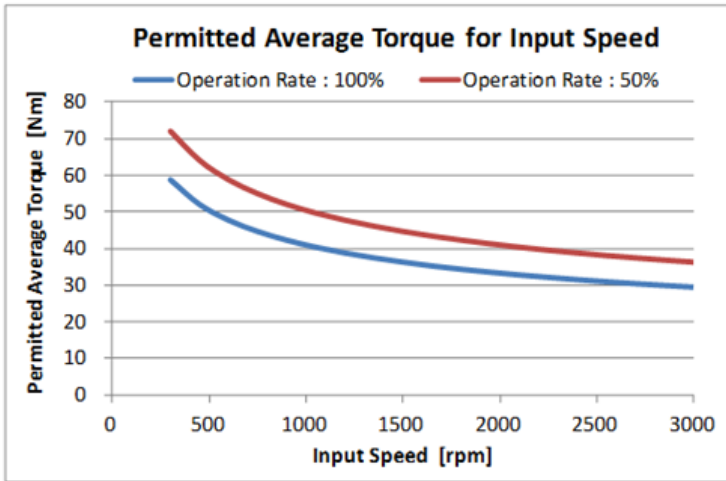
Enquiry N°: 880

Created by: DB / Checked by: PP

SERVO MOTOR 089LDA15XFGCJG100620-SGV1

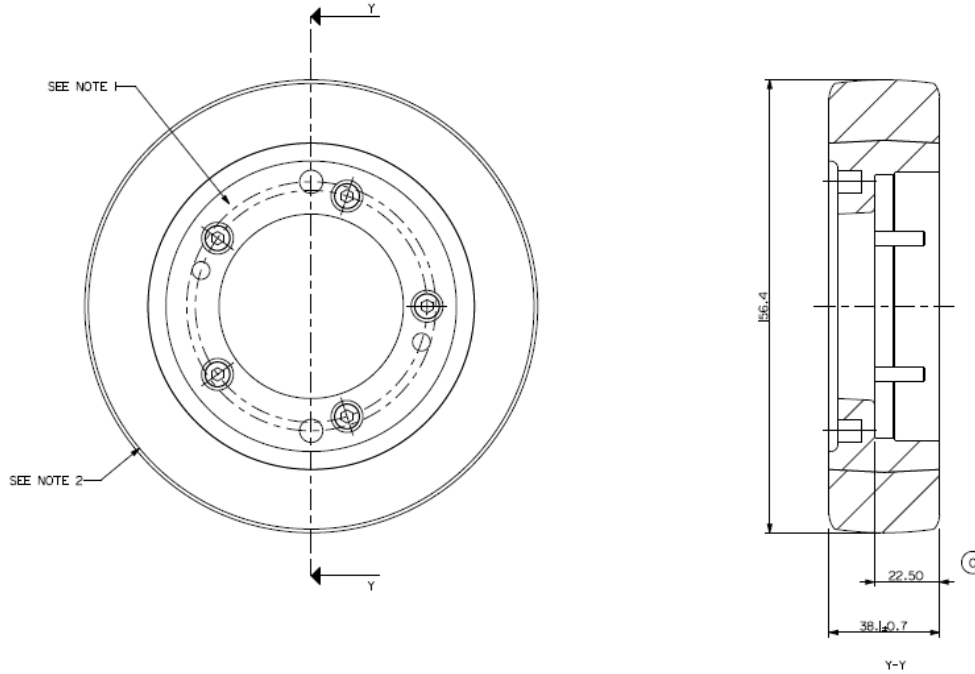
Gear Box characteristics

Ratio	9	Backlash (arc/min)	≤7
Stages	1	Radial Load (Fr, N) @ Fa=0, Input Speed Nom	3500
Inertia (kg.cm ²)	~0.2	Radial Load MAX (Fr, N)	7250
Weight (kg)	2.7	Axial Load (Fa, N) @ Fr=0, Input Speed Nom	2200
Efficiency	95%		



SERVO MOTOR 089LDA15XFGCJG100620-SGV1

Wheel Specification



NOTES:

1. CORE INFORMATION
 - MATERIAL: HT200 CAST IRON.
 - FINISH: PAINT BLACK.
2. TYRE INFORMATION
 - MATERIAL: POLYESTER BASED POLYURETHANE THERMOSET CASTABLE
3. M5 x 15 CAP HEX B2P MOUNTING BOLTS (X5)