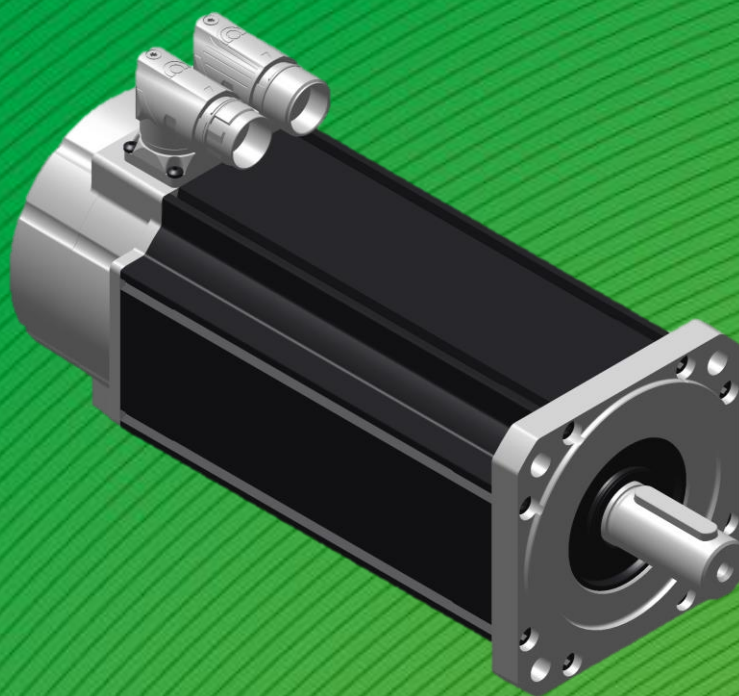




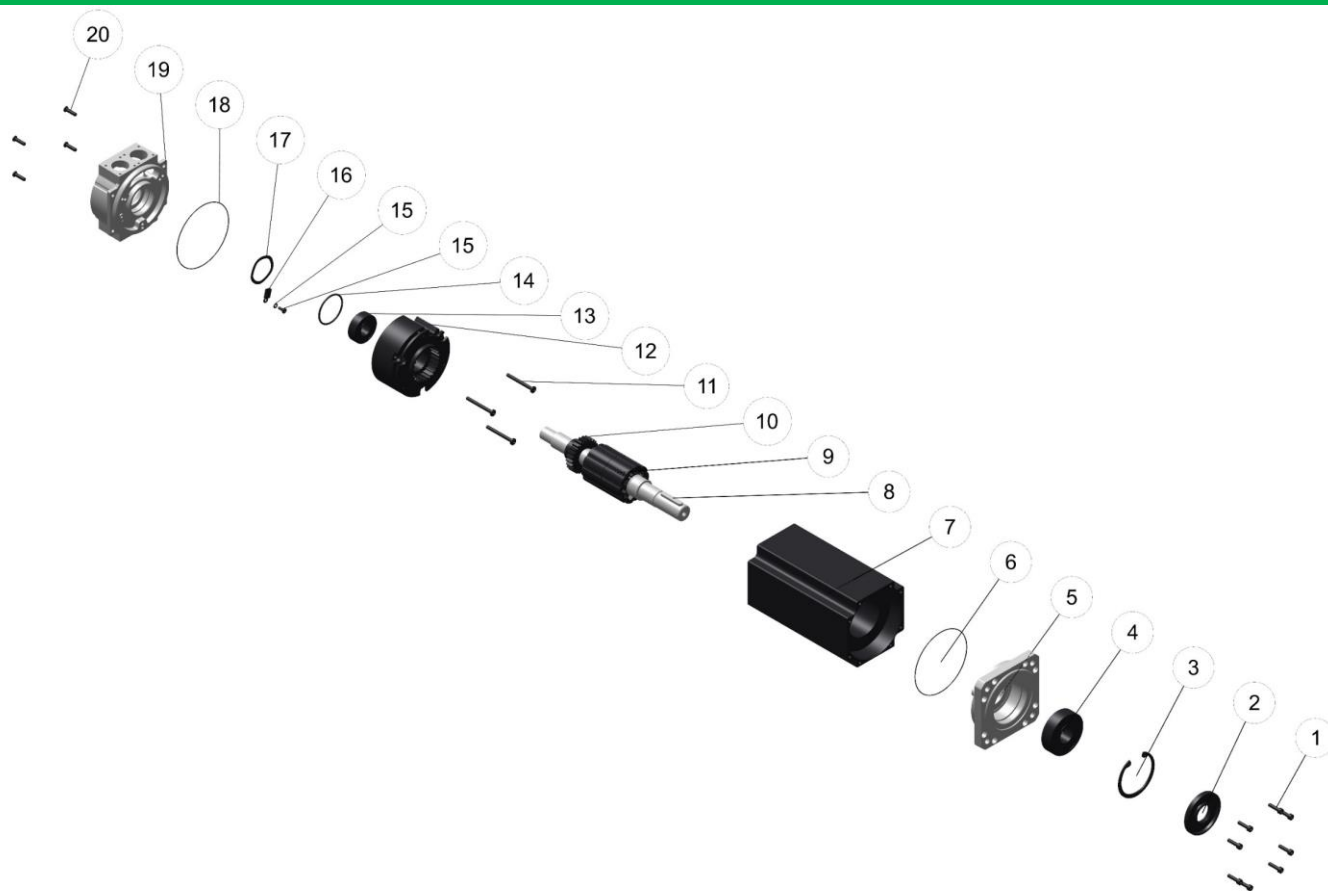
ARCoE – Aftersales Sheet

**115HD**



# SERVO MOTOR - 115UD

# 1

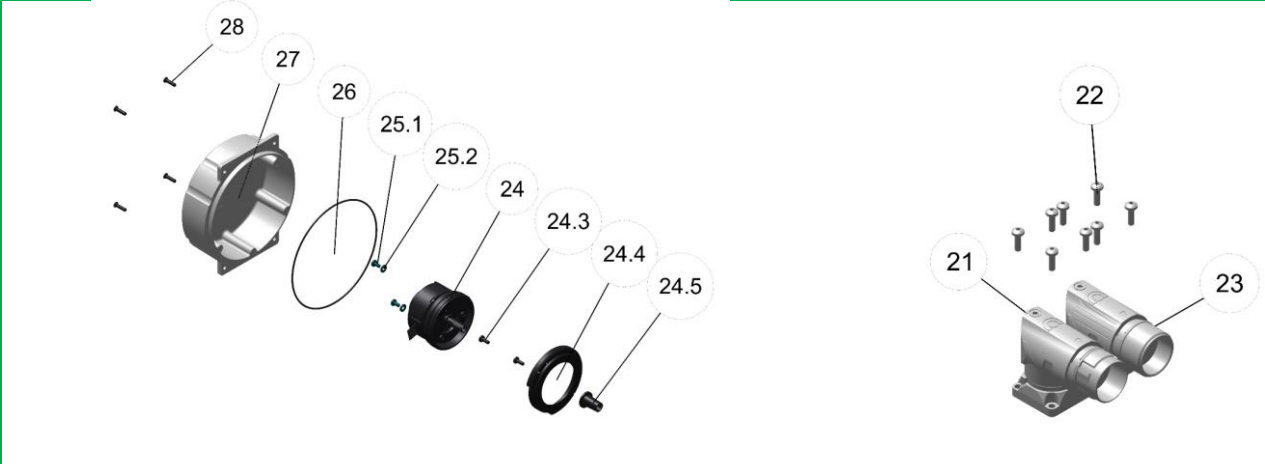


## Components

Tag	Torque	Item	Description	Qty	Tool
1		1000026493	6554164 > WASHER SPR SQ SECT S/COIL M5	8	Tool
	5.7 Nm	1000314194	6169198 > SCREW M5X30 CAP TORX TT	1	
2		1000317041	6620930 > LIPSEAL 25x62x6 VITON+SPRING	1	
3		1000026324	6542522 > CIRCLIP BEVELLED N1302 0244	1	
4		4146328	62 x 25 x 17 SINGLE ROW DEEP GROOVE CAPPED BALL-BEARING 6305ZZ-M.SH-C3-LUG23	1	
5		1000003862	IM/0618/MC > END FRAME FRONT 115 HD / U3 107 LAM 130 PCD MCHND SINGLE BORE HSG	1	
6		1000313994	6623794 > O RING 100X1.5 N70 (115U2)	1	
7		115?D-----/HSA*	HOUSED STATOR	1	
8		1000001874	IM/0045/MC/04 > KEY OUTPUT 8X7X40	1	
9		115UD---115240/RA*	ROTOR	1	
10		1000004333	IM/0256/MI/13 > BRAKE HUB 115 / 142 HD (24 H7 BORE) - type 6	1	
10		1000319895	IM/0256/MI/03 > BRAKE HUB 115HD 1EB030-1120 - type 5	1	
11	2.5 Nm	1000308522	6110029 > SCREW M4X30 PAN TORX TT	3	T20
12		1000004323	6461581 > BRAKE 16 Nm 24V 96 PCD - type 6	1	
		1000001187	6461921 > BRAKE 20.0 Nm - type 5	1	
13		40009914	BEARING 47X20X14 SINGLE ROW DEEP GROOVE CAPPED BALL-BEARING 6204ZZ-M.SH-C3-LUG23	1	
14		1000311500	6623859 > O RING 46.5X2.5	1	
15	1 Nm	1000024035	6161529 > SCREW M3X8 PAN TORX TT	1	
		1000026472	6553567 > WASHER M3 HELICAL SPRING LOCK	1	T10
16		1000001405	IM/0004/EL/01 > LEAD EARTH TAG ASSY COMPLETE 150mm 16 AWG	1	
17		1000026541	6555357 > WASHER PRELOAD 46.5X38.5X5.0	1	
18		1000313994	6623794 > O RING 100X1.5 N70 (115U2)	1	
19		-1000317728	IM/0451/MC/01 > REF 115-T RES-ENCODER	1	
20	5.7 Nm	1000000340	6167608 > SCREW M5X30 CSK TORX TT BZP	1	

## SERVO MOTOR - 115UD

# 2

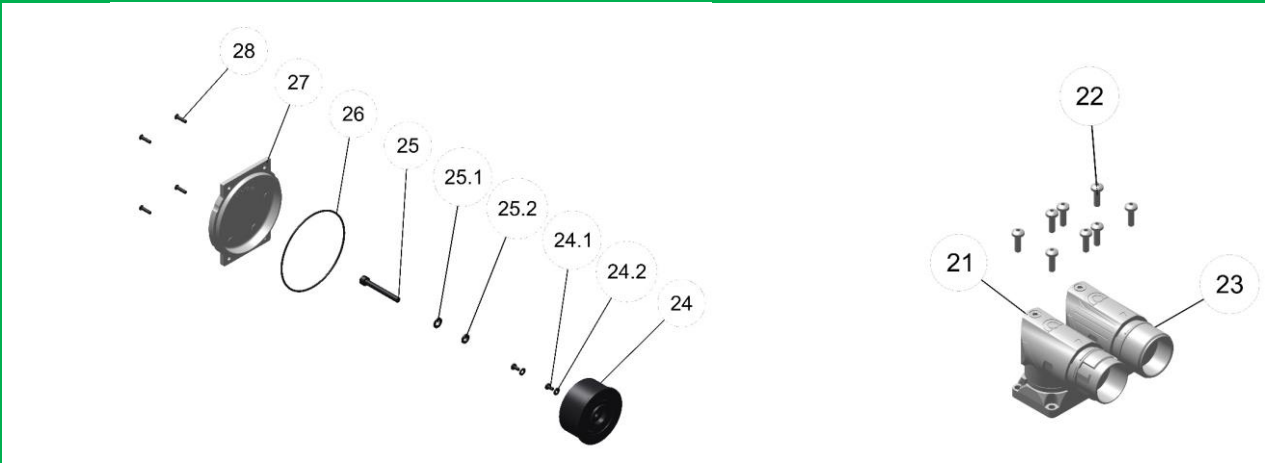


### Components - Incremental Encoder Feedback CA - Resolver mount

Tag	Torque	Item	Description	Qty	Tool
21		1000318073	IM/0458/SA/65 > CONNECTOR ASSY SIG RA R	1	
22	1.2 Nm	1000307714	6161677 > SCREW M3X10 PAN TORX TT	8	T10
23		1000318071	IM/0458/SA/54 > CONNECTOR ASSY PWR RA R BR	1	
24		1000004351	8901716 > ENCODER SICK CFS50 4096 5PP RESOLVER MOUNT PLUG IN SHAFT	1	
24.3	1.2 Nm	1000024035	6161529 > SCREW M3X8 PAN TORX TT	1	T10
24.4		1000004337	IM/0640/MC > ADAPTER ENCODER MOUNT RES SICK CFS50 HD/U3	1	
24.5		1000001041	IM/0323/MI > SHAFT INSERT TAPERED PPS RESIN	1	
25.1	1.2 Nm	1000024036	6161537 > SCREW M3X6 PAN TORX TT	1	T10
25.2		1000005230	6162924 > WASHER FLAT M3 TYPE M BZP	1	
26		1000313994	6623794 > O RING 100X1.5 N70 (115U2)	2	
27		1000005348	IM/0115/CA/02 > REAR COVER CAST 115 HD/U3 HA SICK NO LOGO	1	
28	1.5 Nm	1000308036	6161049 > SCREW M3X12 CSK TORX TT	1	T10

## SERVO MOTOR - 115UD

# 3



### Components - Resolver Feedback AE

Tag	Torque	Item	Description	Qty	Tool
21		1000318073	IM/0458/SA/65 > CONNECTOR ASSY SIG RA R	1	
22	1.2 Nm	1000307714	6161677 > SCREW M3X10 PAN TORX TT	8	T10
23		1000318071	IM/0458/SA/54 > CONNECTOR ASSY PWR RA R BR	1	
24		1000318674	IM/0092/EL/02 > LEAD RESOLVER 12W INSERT 075 - 190	1	
24.1	1.2 Nm	1000024036	6161537 > SCREW M3X6 PAN TORX TT	2	T10
24.2		1000005230	6162924 > WASHER FLAT M3 TYPE M BZP	2	
25	5 Nm	1000318868	6167500 > SCREW M5X40 SOCKET CAP CARBON STEEL GRADE 12.9 BZP	1	TD239
25.1		1000026491	6554148 > WASHER PLAIN M5 FORM C 12.5x5.3x1.0 BZP	1	
25.1		1000026493	6554164 > WASHER SPR SQ SECT S/COIL M5	1	
26		1000313994	6623794 > O RING 100X1.5 N70 (115U2)	1	
27		1000005349	IM/0115/CA/03 > REAR COVER CAST 115 HD/U3 RES NO LOGO	1	
28	1.5 Nm	1000308036	6161049 > SCREW M3X12 CSK TORX TT	4	T10

## SERVO MOTOR - 115UD

# 4

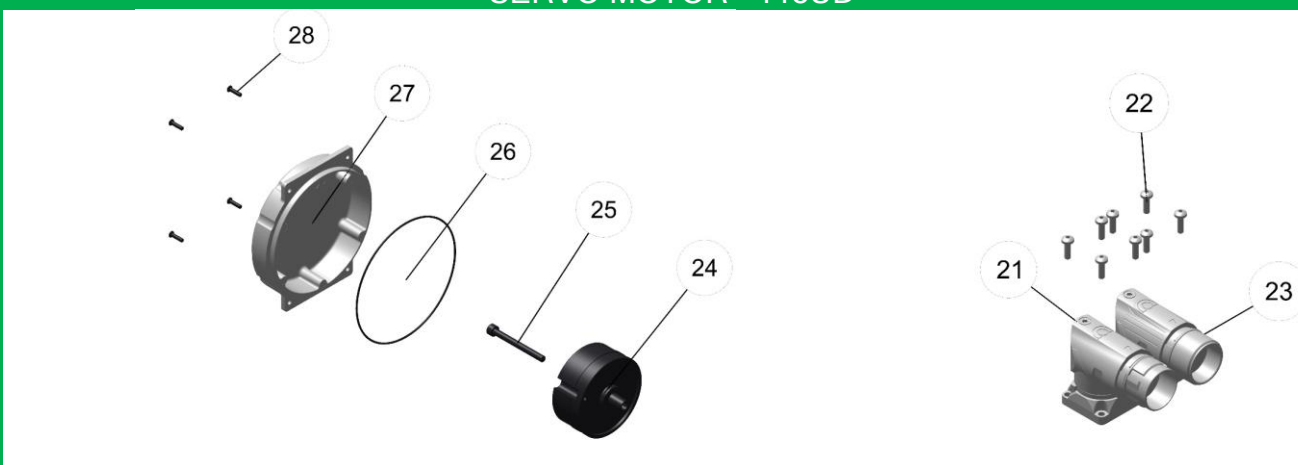


### Components - Incremental Encoder Feedback CA - taper mount

Tag	Torque	Item	Description	Qty	Tool
21		1000318073	IM/0458/SA/65 > CONNECTOR ASSY SIG RA R	1	
22	1.2 Nm	1000307714	6161677 > SCREW M3X10 PAN TORX TT	8	T10
23		1000318071	IM/0458/SA/54 > CONNECTOR ASSY PWR RA R BR	1	
24.1		1000000023	6162908 > WASHER FLAT M3 OD6.0	1	
24.2		1000317944	8901139 > ENCODER CFS50 4096 10P-T	1	
24.2	1.2 Nm	1000024035	6161529 > SCREW M3X8 PAN TORX TT	2	T10
24.4		1000317936	IM/0229/MI > ADAPTER ENCODER CFS50 MOUNT	1	
24.5	5 Nm	1000317937	IM/0460/MC > STUB SHAFT CFS50 TAPER ADAPTER	1	TD235
25	3.1 Nm	1000318868	6167500 > SCREW M5X40 SOCKET CAP CARBON STEEL GRADE 12.9 BZP	1	TD064
25		1000026491	6554148 > WASHER PLAIN M5 FORM C 12.5x5.3x1.0 BZP	1	
25		1000026493	6554164 > WASHER SPR SQ SECT S/COIL M5	1	
25.1	1.2 Nm	1000024036	6161537 > SCREW M3X6 PAN TORX TT	1	T10
26		1000313994	6623794 > O RING 100X1.5 N70 (115U2)	1	
27		1000005349	IM/0115/CA/03 > REAR COVER CAST 115 HD/U3 RES NO LOGO	1	
28	1.5 Nm	1000308036	6161049 > SCREW M3X12 CSK TORX TT	4	T10

## SERVO MOTOR - 115UD

# 5



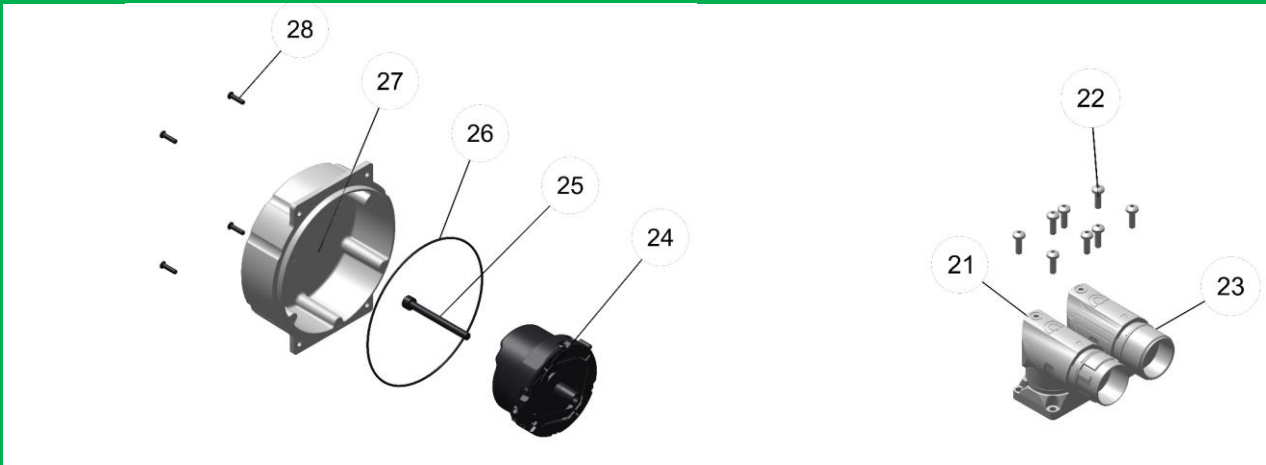
### Components - Inductive EndDat SinCos Multi-turn Feedback EC

Tag	Torque	Item	Description	Qty	Tool
21		1000318073	IM/0458/SA/65 > CONNECTOR ASSY SIG RA R	1	
22	1.2 Nm	1000307714	6161677 > SCREW M3X10 PAN TORX TT	8	T10
23		1000318071	IM/0458/SA/54 > CONNECTOR ASSY PWR RA R BR	1	
24		1000000835	8901511 > ENCODER EQI 1331 GEN 2.5 MULTI TAPER WITH INCREMENTAL CHANNELS	1	
25	5 Nm 0.3 Nm/2 Nm 0.4 Nm	1000320998	6167489 > SCREW M5x50 CAP HEX HD ExI1300 Cam Cover	1	TD239 TD 146 / TD099 TD 242
26		1000313994	6623794 > O RING 100X1.5 N70 (115U2)	1	
27		1000005347	IM/0115/CA/01 > REAR COVER CAST 115 HD/U3 HH IND NO LOGO	1	
28	1.5 Nm	1000308036	6161049 > SCREW M3X12 CSK TORX TT	4	T10



## SERVO MOTOR - 115UD

# 6

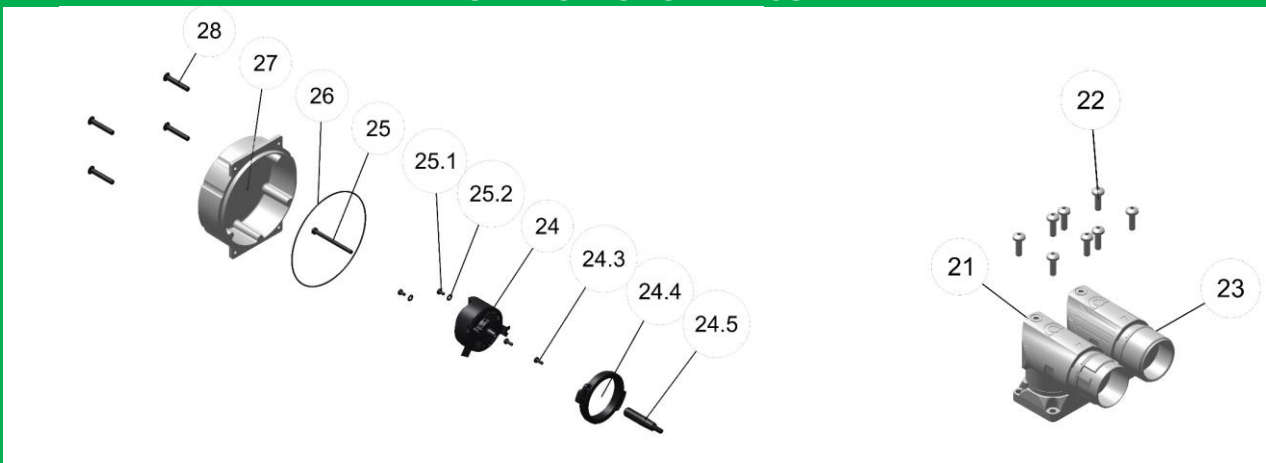


### Components - Optical EnDat SinCos Single-turn Feedback EB

Tag	Torque	Item	Description	Qty	Tool
21		1000318073	IM/0458/SA/65 > CONNECTOR ASSY SIG RA R	1	Tool
22	1.2 Nm	1000307714	6161677 > SCREW M3X10 PAN TORX TT	8	T10
23		1000318071	IM/0458/SA/54 > CONNECTOR ASSY PWR RA R BR	1	
24	1.2 Nm	1000315347	8901082 > ENCODER HA EQN1325 MULTI TAPER	1	
25	5 Nm	1000320999	6167497 > SCREW M5x50 CAP HEX HD ExN1300	1	TD239
	1.1 Nm		Clamp		TD267
	3 Nm		Cover		TD054
26		1000313994	6623794 > O RING 100X1.5 N70 (115U2)	1	
27		1000005348	IM/0115/CA/02 > REAR COVER CAST 115 HD/U3 HA SICK NO LOGO	1	
28	1.5 Nm	1000308036	6161049 > SCREW M3X12 CSK TORX TT	4	T10

## SERVO MOTOR - 115UD

# 7



### Components - Optical Hiperface SinCos Multi-turn Feedback RA - taper

Tag	Torque	Item	Description	Qty	Tool
21		1000318073	IM/0458/SA/65 > CONNECTOR ASSY SIG RA R	1	Tool
22	1.2 Nm	1000307714	6161677 > SCREW M3X10 PAN TORX TT	8	T10
23		1000318071	IM/0458/SA/54 > CONNECTOR ASSY PWR RA R BR	1	
24		1000319341	8901309 > ENCODER SRM50 TAPER SPR MOUNT	1	
24.3	1.2 Nm	1000024035	6161529 > SCREW M3X8 PAN TORX TT	2	T10
24.4		1000317936	IM/0229/MI > ADAPTER ENCODER CFS50 MOUNT	1	
24.5	5 Nm	1000317937	IM/0460/MC > STUB SHAFT CFS50 TAPER ADAPTER	1	TD235
25	3.1 Nm		SINCOS screw with encoder	1	TD064
25.1	1.2 Nm	1000317945	6110223 > SCREW M3X6 PAN TORX PLAS-FIX	2	T10
25.2		1000005230	6162924 > WASHER FLAT M3 TYPE M BZP	2	
26		1000313994	6623794 > O RING 100X1.5 N70 (115U2)	1	
27		1000005348	IM/0115/CA/02 > REAR COVER CAST 115 HD/U3 HA SICK NO LOGO	1	
28	1.5 Nm	1000308036	6161049 > SCREW M3X12 CSK TORX TT	4	T10

## Parts not on the exploded view

Item	Description	Comment
1000311800	7582951 > BANDOLIER PINS	BANDOLIER PINS
1000022003	5317142 > BOX CARTON 495L x 195W x 250H 24 KILO 0201	BOX CARTON 495L x 195W x 250H 24 KILO 0201
1000032282	7585284 > CAP CONNECTOR SIZE 1 BLACK	CAP CONNECTOR SIZE 1 BLACK
1000022037	5320097 > CAP SHAFT 24mm YELLOW	CAP SHAFT 24mm YELLOW
1000311140	IM/0153/MI > CERTIFICATE TEST IND. MOTOR (QUANTITY PER BOX)	CERTIFICATE TEST IND. MOTOR (QUANTITY PER BOX)
1000318064	7584148 > CONTACT PIN PWR WRE 0.35-2.0MM	CONTACT PIN PWR WRE 0.35-2.0MM
1000315289	7587392 > CONTACT PIN SIGNAL	CONTACT PIN SIGNAL
1000302179	7571828 > CONTACT SOCKET SIGNAL 1mm	CONTACT SOCKET SIGNAL 1mm
1000321272	5270200 > GREASE (LIPSEAL) ANDEROL 783	GREASE (LIPSEAL) ANDEROL 783
1000004058	5270219 > GREASE AEROSHELL 22 (3kg)	GREASE AEROSHELL 22 (3kg)
1000311798	7582943 > INSERT CONN 12W POL 20	INSERT CONN 12W POL 20
1000311799	7582978 > INSERT CONN 17W POL 0	INSERT CONN 17W POL 0
1000314623	IM/0186/MI > LABEL ADDITIONAL INFO WHITE	LABEL ADDITIONAL INFO WHITE
1000002189	IM/0071/MI > LABEL RATING BLANK U3 & HD	LABEL RATING BLANK U3 & HD
1000305906	7519893 > LABEL READYPRINT YELLOW	LABEL READYPRINT YELLOW
1000306051	5330262 > LABEL SHAFT WARNING MULTILINGUAL	LABEL SHAFT WARNING MULTILINGUAL
1000319510	IM/0244/MI/01 > LABEL UNIMOTOR HD + SAFETY	LABEL UNIMOTOR HD + SAFETY
1000313114	IM/0059/EL/06 > LEAD ENC EXI1300 EC/FC 115 R/A - 190	LEAD ENC EXI1300 EC/FC 115 R/A - 190
1000318998	IM/0087/EL/05 > LEAD ENC INCR CFS50 115 R/A - 190	LEAD ENC INCR CFS50 115 R/A - 190
1000319347	IM/0095/EL/04 > LEAD ENC SRS/SRM50 115R 142S	LEAD ENC SRS/SRM50 115R 142S
1000309831	5589967 > LEAD ENCODER EC11317/EQ11329	LEAD ENCODER EC11317/EQ11329
1000319348	5589886 > LEAD ENCODER SICK SRS/M50	LEAD ENCODER SICK SRS/M50
1000317834	5589932 > LEAD FOR SICK CFS50 ENCODER	LEAD FOR SICK CFS50 ENCODER
1000317051	IM/0212/MI > MANUAL INSTALLTN UM/FM/HD/ATEX	MANUAL INSTALLTN UM/FM/HD/ATEX
1000032820	7517866 > SLEEVE INS' H/S KYNAR 1.6MM	SLEEVE INS' H/S KYNAR 1.6MM
1000315683	IM/0021/EL/19 > SLEEVE VIDAFLX 4x180mm	SLEEVE VIDAFLX 4x180mm
1000322549	IM/0021/EL/25 > SLEEVE VIDAFLX 7x160mm	SLEEVE VIDAFLX 7x160mm
1000302074	IM/0021/EL/01 > SLEEVE VIDAFLX 7x90mm	SLEEVE VIDAFLX 7x90mm
1000317395	5259363 > SOLDER LEAD FREE 0.7MM	SOLDER LEAD FREE 0.7MM

## Repair kits

067-142UD5B/PCON, 067-190UDB/SCON, 115UD/GA, 115UD100/FEF, 115UD/REF, 115UD5/BK.

115UDA300P/HSA, 115UDA300K/HSA, 115UDA306P/HSA, 115UDA306K/HSA,  
 115UDA600P/HSA, 115UDA600K/HSA, 115UDA606P/HSA, 115UDA606K/HSA,  
 115UDB300P/HSA, 115UDB300K/HSA, 115UDB306P/HSA, 115UDB306K/HSA,  
 115UDC300P/HSA, 115UDC300K/HSA, 115UDC306P/HSA, 115UDC306K/HSA,  
 115UDC600P/HSA, 115UDC600K/HSA, 115UDC606P/HSA, 115UDC606K/HSA.

115UDBCA/SCON, 115UDBEC/SCON, 115UDBEB/SCON, 115UDBRA/SCON  
 115UDAE/FB, 089-190UDCA/FB, 089-190UDCA/FBR, 089-190UDECFB, 089-190UDEB/FB, 089-115UDRA/FB

## Connectors components

	Assembly	Shell PN	Screw PN	Black Insert PN	White Insert PN	Brown Insert PN
Power	1000318062	1000000952	1000320816 (1)	1000000939	1000000946	X
	1000318063	1000000953	X	1000000940	1000000947	X
	1000000848	1000000954	1000320816 (1)	1000000939	1000000946	X
	1000000849	1000000955	1000320816 (1)	1000000939	1000000946	X
	1000000850	1000000956	X	1000000940	1000000947	X
	1000320277	1000000957	1000320816 (1)	1000000942	1000000948	X
	1000320182	1000000958	1000320816 (1)	1000000943	1000000949	X
	1000000851	1000000959	1000320816 (1)	1000000942	1000000948	X
	1000000852	1000000960	X	1000000943	1000000949	X
	1000000853	1000000961	1000000398 (X3)	1000000944	1000000950	X
	1000315751	1000000962	X	1000000944	1000000950	X
1000000854	1000000963	X	1000000944	1000000950	X	
Signal	1000318066	1000000964	1000320816 (1)	X	X	1000000945
	1000318067	1000000965	X	X	X	X
	1000000855	1000000966	1000320816 (1)	X	X	1000000945
	1000000856	1000000967	X	X	X	X



Connect with us at:

[ctdsales@mail.nidec.com](mailto:ctdsales@mail.nidec.com)

[www.controltechniquesdynamics.com](http://www.controltechniquesdynamics.com)



**CONTROL  
TECHNIQUES  
DYNAMICS**

© Control Techniques Dynamics Ltd. The information contained in this document is for guidance only and does not form part of any contract. The accuracy cannot be guaranteed as our company have an ongoing process of development and reserve the right to change the specification of their products without notice.

Nidec Control Techniques Limited. Registered Office: The Gro, Newtown, Powys SY16 3BE. Registered in England and Wales. Company Reg. No. 01236886.