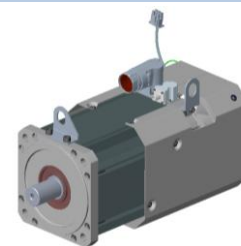


Enquiry N°: 1682

Created by: WT / Approved by: DB

SERVO MOTOR

190UFH200BACAA FAN COOLED MOTOR



NOTE : SIZE 1.5 POWER CONN' SHOWN

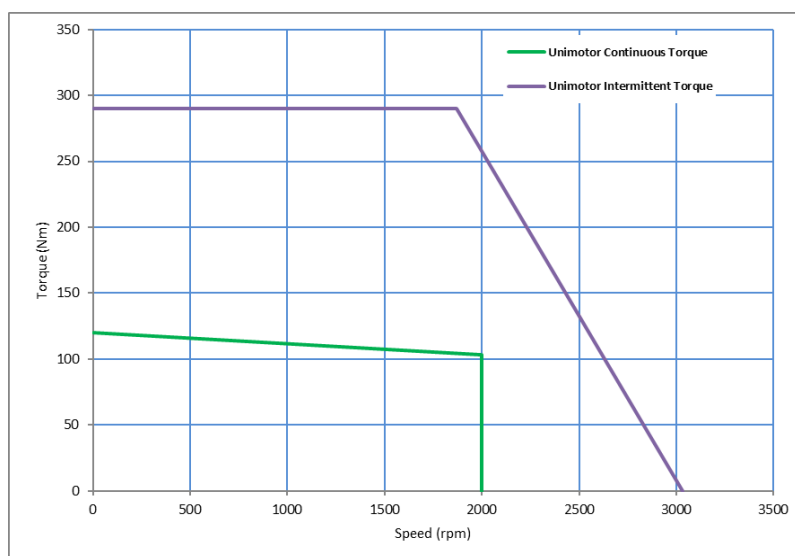
Definition

Type	Unimotor HD	
Frame Size (mm)	190	
Voltage	U	400 V
Magnet type	F	High dynamic; Fan-cooled
Frame Length	H	
Speed (min-1)	20	2000
Brake	0	Unbraked
Connection type	B	Power and Signal 90° rotatable (Size 1)
Output shaft	A	with output key
Feedback device code	CA	4096 ppr Incremental encoder (CFS50)
Inertia & thermistor	A	Standard inertia + PTC thermistor
PCD	215	215 (FF 215 / 180)
Shaft Diameter	380	38j6 x 80.0
Fan Box	-	
Insulation class	F	
UL Motor / UL Stator	UL Stator	

Nominal characteristics

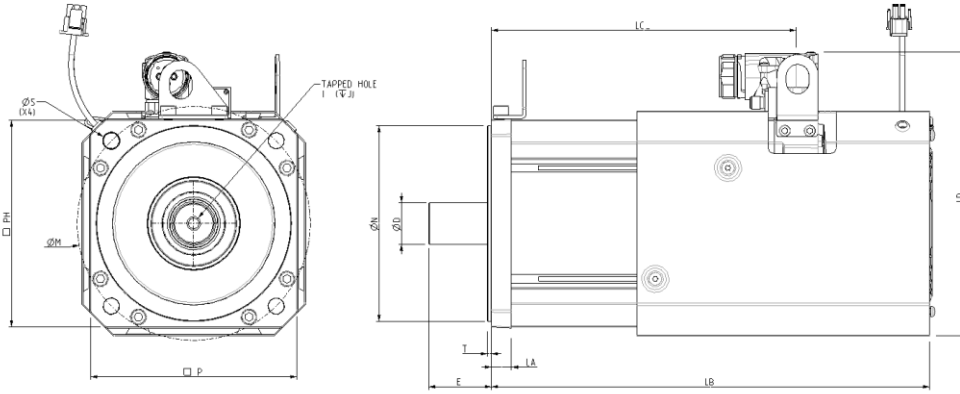
Motor Ambient Temperature (°C)	40	Drive Fsw (kHz)	12
Motor Stall Torque (Nm)	120.0	Stall Current (A)	61.0
Rated Torque (Nm)	103.0	Nominal Current (A)	52.0
Motor Peak Torque (Nm)	290.0	Kt (Nm/A)	2.0
Rated Power (kW)	21.6	Ke (V/kmin-1)	122.0
Winding Thermal Time Constant (s)	329	R (ph-ph) (Ohm)	0.064
Number of Poles	10	L (ph-ph) (mH)	2.480
Maximum Cogging (Nm)	1.8		
Inertia (kg.cm ²)	TBC	Weight (kg)	62.7
Ingress Protection Level (IP) (Motor/Fan box)	IP65/IP20		

Torque / speed graph



SERVO MOTOR

Motors (° & mm)



LB	Total length	457.1
LC	Power connector position	341.1
LA	Flange thickness	18.5
T	Register Length	3.9
N	Register Diameter	180.0
LD	Connector overall height	241.5
P	Flange Square	190.3
S	Fixing Hole Diameter	14.5
M	Fixing hole PCD	215
PH	Motor Housing Width	190.0
	Fan Box Width	206.6
D	Shaft Diameter	38j6
E	Shaft Length	80.0
GA	Key Height	41.0
GF	Key Length	70.0
G	Key to Shaft End	4.6
F	Key Width	10.0
I	Tapped Hole Thread Size	M12 x 1.75
J	Tapped Hole Depth	29.0
	Mounting Bolt	M12

NOTE : SIZE 1.5 POWER CONN' SHOWN

Motor electrical interface Connectors option:

Feedback device code: CA – 4096 ppr Incremental encoder (CFS50)	Connection type: B – Power and Signal 90° rotatable (Size 1)																		
<table border="0"> <tr> <td>1 - Thermistor</td> <td>10 - A</td> </tr> <tr> <td>2 - Thermistor</td> <td>11 - Z</td> </tr> <tr> <td>3 - -</td> <td>12 - Z/</td> </tr> <tr> <td>4 - U</td> <td>13 - A/</td> </tr> <tr> <td>5 - U/</td> <td>14 - B</td> </tr> <tr> <td>6 - V</td> <td>15 - B/</td> </tr> <tr> <td>7 - V/</td> <td>16 - Power</td> </tr> <tr> <td>8 - W</td> <td>17 - 0 V</td> </tr> <tr> <td>9 - W/</td> <td>Screen</td> </tr> </table>	1 - Thermistor	10 - A	2 - Thermistor	11 - Z	3 - -	12 - Z/	4 - U	13 - A/	5 - U/	14 - B	6 - V	15 - B/	7 - V/	16 - Power	8 - W	17 - 0 V	9 - W/	Screen	
1 - Thermistor	10 - A																		
2 - Thermistor	11 - Z																		
3 - -	12 - Z/																		
4 - U	13 - A/																		
5 - U/	14 - B																		
6 - V	15 - B/																		
7 - V/	16 - Power																		
8 - W	17 - 0 V																		
9 - W/	Screen																		