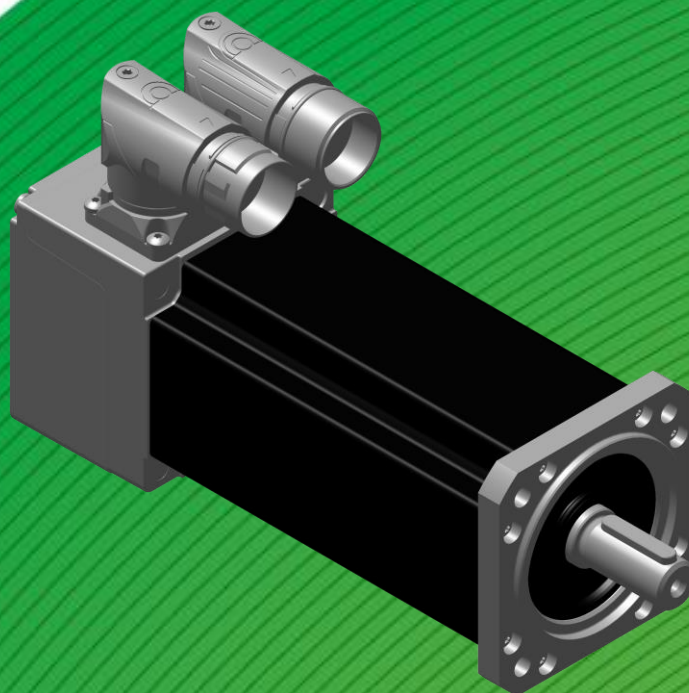


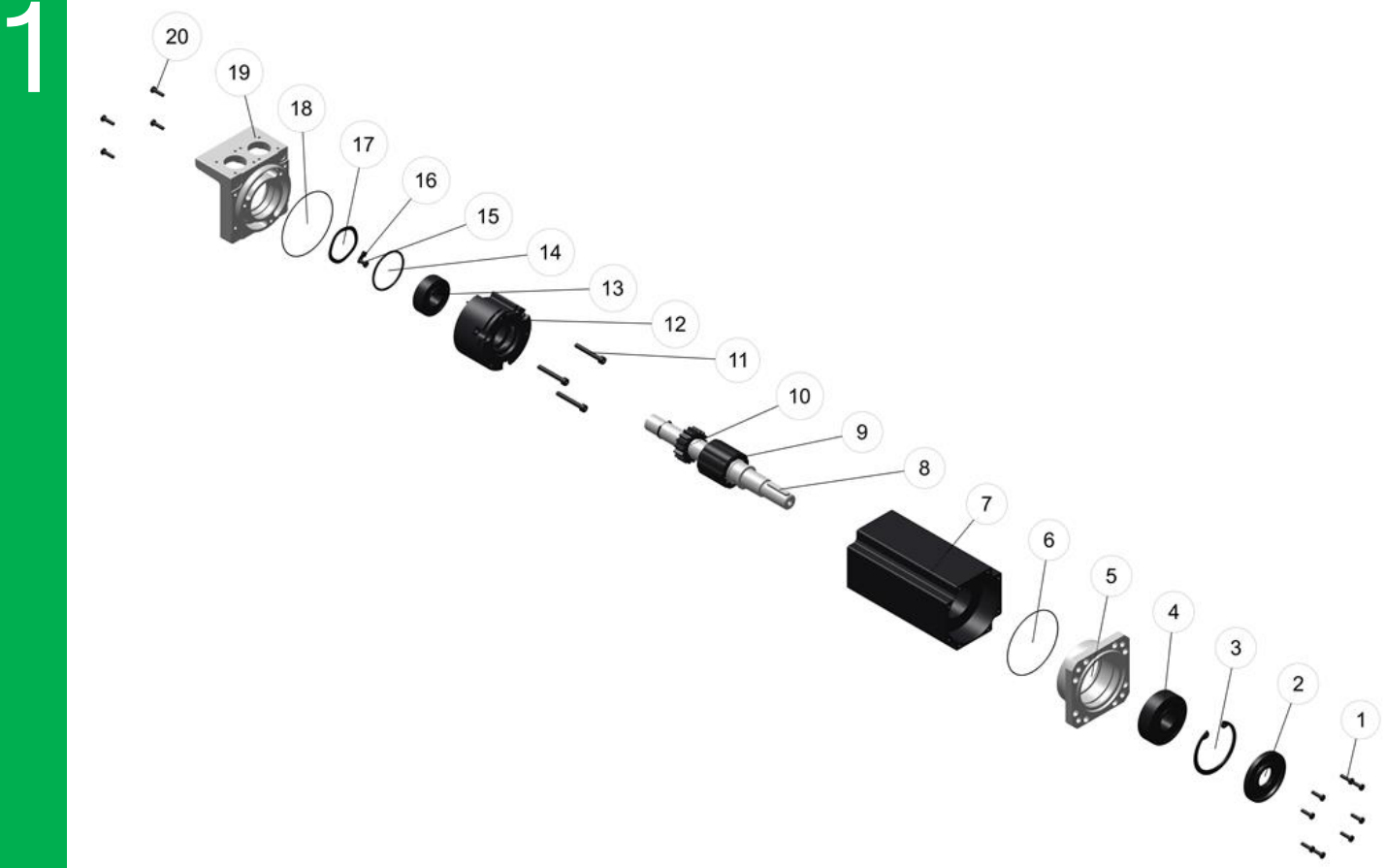


ARCoE – Aftersales Sheet

067HD



SERVO MOTOR - 067UD



Components

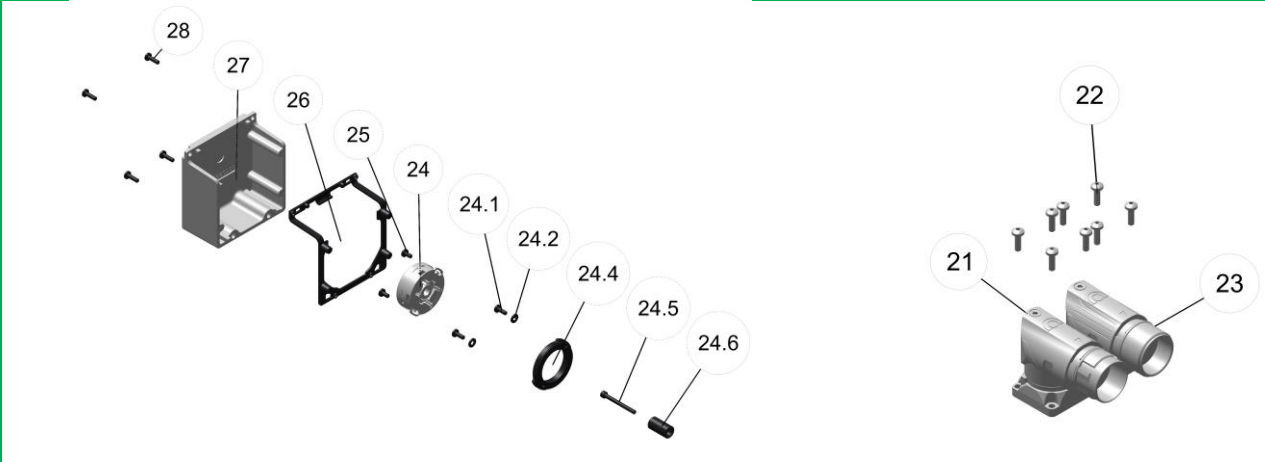
Tag	Torque	Item	Description	Qty	Tool
1	1.5 Nm	1000312382	6161634 > SCREW M3X12 PAN TORX TT BZP	8	T10
2		1000318381	6620949 > LIPSEAL 17X47X5 VITON+SPRING	1	
3		1000026303	6541925 > CIRCLIP BEVELLED N1302 0185	1	
4		1000317042	6525318 > BEARING 47X17X14 6303ZZ-TOLE-C3-LUG23	1	
5		1000323332	IM/0555/MC > FEF 67-T 75 PCD	1	
6		1000318382	6624030 > O RING 60X1.0	1	
7		067?D-----/HSA*	KIT STATOR ASSY HOUSED 067?U - - - - -	1	
8		1000003705	IM/0045/MC/20 KEY PARALLEL A (2 ROUND ENDS) WIDTH: 5mm HEIGHT: 5mm LENGTH: 25mm BS 4235 STEEL (C45) 550MPA	1	
9		1000003712	IM/0246/MC/14 > KEY OUTPUT HALF 5X2.5X25	1	
10		067UD----100190/RA*	KIT ROTOR 67	1	
10		1000005314	IM/0363/MI/01 > BRAKE HUB 067 1-23-2604-B151 - TYPE 6	1	
10		1000319893	IM/0256/MI/01 > BRAKE HUB 067HD 1EB020-1177 - TYPE 5	1	
11	2.5 Nm	1000308522	6110029 > SCREW M4X30 PAN TORX TT	3	T20
12		1000005079	6462111 > BRAKE 2NM 52.0 PCD TD6465 2-56-0601 067 HD / 075 U3 S&G TYPE 6 BRAKE	1	
12		1000318756	6461697 > BRAKE 4Nm FAILSAFE - TYPE 5 BRAKE	1	
13		4373111	SINGLE ROW DEEP GROOVE CAPPED BALL-BEARING "ZZ" TYPE: 6202 - CAGE:M.SHEET - CL.: C3 - GREASE:LUG23	1	
14		1000318382	6624030 > O RING 60X1.0	1	
15	1 Nm	1000024035	6161529 > SCREW M3X8 PAN TORX TT	1	T10
16		1000303412	6553575 > WASHER STAR M3	1	
16		1000311812	IM/0055/EL/01 > LEAD EARTH TAG ASSY 150MM COMPLETE	1	
16		1000006369	7520166 > TERMINAL CRIMP RING TAG M3 22-18 AWG UNINSULATED	1	
16		1000311813	5551021 > WIRE GREEN/YELLOW 18AWG UL1330 FEP	1	
17		1000317357	6555217 > WASHER PRELOAD EMO-X28 = 137N	1	
18		1000318382	6624030 > O RING 60X1.0	1	
19		1000323330	IM/0554/MC - issue 3 - > REF 67-T -SB - spigot 61.858 h7 (0-0.030) - from 12/03/2012	1	
19		1000320813	IM/0492/MC - issue 3 > REF 67-T - spigot 62.120 h7 (0-0.030) - from 1/10/2010	1	
20	1.5 Nm	1000312382	6161634 > SCREW M3X12 PAN TORX TT BZP	4	T10

The information contained in this data-sheet is for guidance only and does not form part of any contract. The accuracy cannot be guaranteed as our company have an ongoing process of development and reserve the right to change the specification of their products without notice.

Moteurs Leroy-Somer SAS. Siège social : Bd Marcellin Leroy, CS 10015, 16915 Angoulême Cedex 9, France. Capital social : 65 800 512 €, RCS Angoulême 338 567 258. Control Techniques Limited. Registered Office: The Gro, Newtown, Powys SY16 3BE. Registered in England and Wales. Company Reg. No. 01236886.

SERVO MOTOR - 067UD

1

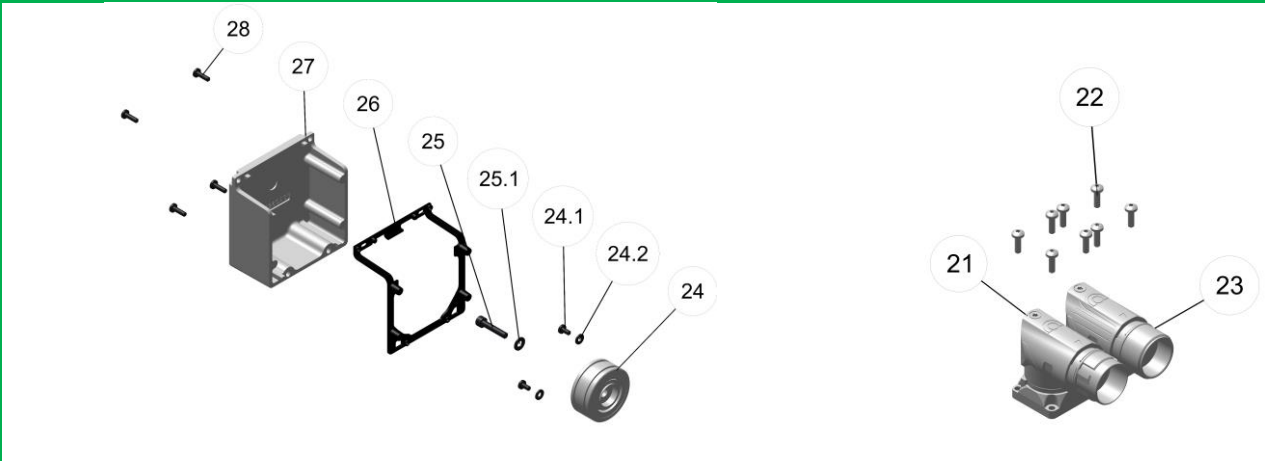


Components - Inductive Feedback CR

Tag	Torque	Item	Description	Qty	Tool
21		1000318073	IM/0458/SA/65 > CONNECTOR ASSY SIG RA R	1	
22	1.2 Nm	1000307714	6161677 > SCREW M3X10 PAN TORX TT	8	T10
23		1000318071	IM/0458/SA/54 > CONNECTOR ASSY PWR RA R BR	1	
24		1000316755	8900965 > ENCODER RENCO R35i 4096/5-3/8+-LD/LD-5/0-1-R-H-S	1	
24.1	1.2 Nm	1000024036	6161537 > SCREW M3X6 PAN TORX TT	2	T10
24.2		1000005230	6162924 > WASHER FLAT M3 TYPE M BZP	2	
24.4		1000319007	IM/0478/MC > SPACER ENC MOUNT RENCO R35i	1	
24.5	1.2 Nm	1000024030	6161472 > SCREW M3X30 CAP HEX	1	T10
24.6		1000318469	IM/0466/MC > STUB SHAFT R35I 067 TRITON	1	
25	0.2 Nm	NA	Part of encoder assembly (M2.5 screw)	2	
26		1000005230	6162924 > WASHER FLAT M3 TYPE M BZP	1	
27		1000005338	IM/0113/CA/01 issue 3 > REAR COVER CAST 067 SHORT NO LOGO - from 02/01/2018	1	
28	1.5 Nm	1000307714	6161677 > SCREW M3X10 PAN TORX TT	4	T10

SERVO MOTOR - 067UD

2



Components - Inductive Feedback AR

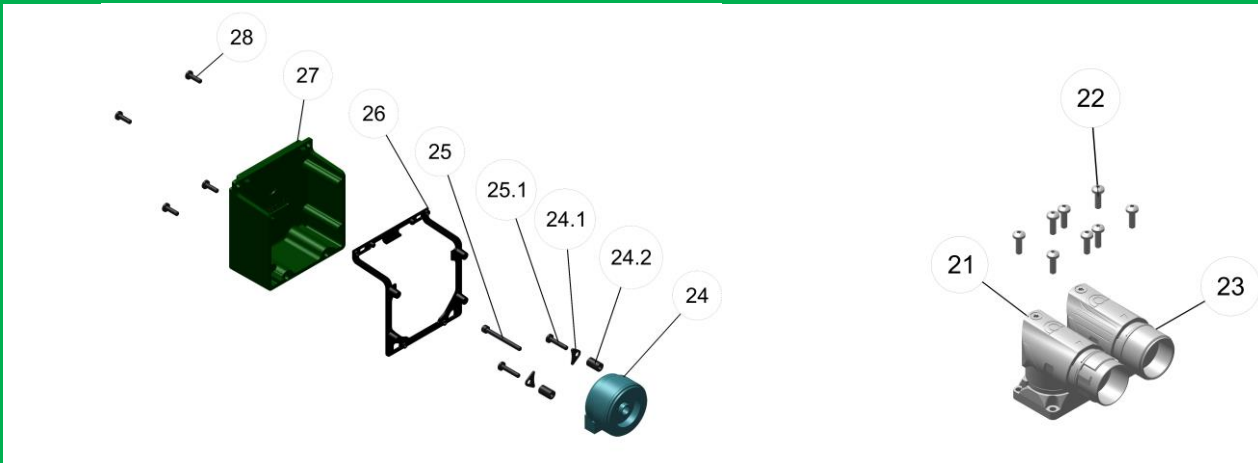
Tag	Torque	Item	Description	Qty	Tool
21		1000318073	IM/0458/SA/65 > CONNECTOR ASSY SIG RA R	1	
22	1.2 Nm	1000307714	6161677 > SCREW M3X10 PAN TORX TT	8	T10
23		1000318071	IM/0458/SA/54 > CONNECTOR ASSY PWR RA R BR	1	
24		1000318466	IM/0089/EL/02 > LEAD RESOLVER 67R	1	
24.1	1.2 Nm	1000024036	6161537 > SCREW M3X6 PAN TORX TT	2	T10
24.2		1000002523	IM/0101/MC > CLAMP SYNCRO 55 MOTOR	2	
25	2.5 Nm	1000024079	6165613 > SCREW M4X20 CAP HEX	1	T20
25.1		1000026487	6554008 > WASHER FLAT M4 FORM A	1	
25.2		1000026488	6554024 > WASHER SPRING SQ SECT M4	1	
26		1000320815	IM/0271/MI issue 2 > GASKET REAR COVER 67-T - from 1503/2010	1	
27		1000005338	IM/0113/CA/01 issue 3 > REAR COVER CAST 067 SHORT NO LOGO - from 02/01/2018	1	
28	1.5 Nm	1000307714	6161677 > SCREW M3X10 PAN TORX TT	4	T10

The information contained in this data-sheet is for guidance only and does not form part of any contract. The accuracy cannot be guaranteed as our company have an ongoing process of development and reserve the right to change the specification of their products without notice.

Moteurs Leroy-Somer SAS. Siège social : Bd Marcellin Leroy, CS 10015, 16915 Angoulême Cedex 9, France. Capital social : 65 800 512 €, RCS Angoulême 338 567 258. Control Techniques Limited. Registered Office: The Gro, Newtown, Powys SY16 3BE. Registered in England and Wales. Company Reg. No. 01236886.

SERVO MOTOR - 067UD

3



Components - Inductive Feedback EM

Tag	Torque	Item	Description	Qty	Tool
21		1000318073	IM/0458/SA/65 > CONNECTOR ASSY SIG RA R	1	
22	1.2 Nm	1000307714	6161677 > SCREW M3X10 PAN TORX TT	8	T10
23		1000318071	IM/0458/SA/54 > CONNECTOR ASSY PWR RA R BR	1	
24		1000318487	8901171 > ENCODER IND EQI1130 MULT RES M	1	
24.1		1000318517	IM/0468/MC > CLAMP FEEDBACK	2	
24.2		1000318576	6581307 > SPACER M3X9 PLAIN	2	
25	1.2 Nm	1000024030	6161472 > SCREW M3X30 CAP HEX	1	T10
25		1000026472	6553567 > WASHER M3 HELICAL SPRING LOCK	1	
25.1		1000309264	6110088 > SCREW M3X16 PAN TORX TT	2	T10
26		1000320815	IM/0271/MI issue 2 > GASKET REAR COVER 67-T - from 1503/2010	1	
27		1000005338	IM/0113/CA/01 issue 3 > REAR COVER CAST 067 SHORT NO LOGO - from 02/01/2018	1	
28	1.5 Nm	1000307714	6161677 > SCREW M3X10 PAN TORX TT	4	T10

Parts not on the exploded view

Item	Description	Comment
1000021969	5313031 > BAG POLY' 6" x 3" 500G	BAG POLY' 6" x 3" 500G
1000311800	7582951 > BANDOLIER PINS	BANDOLIER PINS
1000300028	5310601 > BOX CARTON 250x150x150	BOX CARTON 250x150x150
1000033282	7585284 > CAP CONNECTOR SIZE 1 BLACK	CAP CONNECTOR SIZE 1 BLACK
1000022035	5320070 > CAP SHAFT 14mm	CAP SHAFT 14mm
1000311140	IM/0153/MI > CERTIFICATE TEST IND. MOTOR (QUANTITY PER BOX)	CERTIFICATE TEST IND. MOTOR (Q
1000318064	7584148 > CONTACT PIN PWR WRE 0.35-2.0MM	CONTACT PIN PWR WRE 0.35-2.0MM
1000301823	7587236 > CONTACT PIN SIGNAL	CONTACT PIN SIGNAL
1000315289	7587392 > CONTACT PIN SIGNAL	CONTACT PIN SIGNAL
1000004058	5270219 > GREASE AEROSHELL 22 (3kg)	GREASE AEROSHELL 22 (3kg)
1000321272	5270200 > GREASE (LIPSEAL) ANDEROL 783	GREASE (LIPSEAL) ANDEROL 783
1000311798	7582943 > INSERT CONN 12W POL 20	INSERT CONN 12W POL 20
1000311799	7582978 > INSERT CONN 17W POL 0	INSERT CONN 17W POL 0
1000314623	IM/0186/MI > LABEL ADDITIONAL INFO WHITE	LABEL ADDITIONAL INFO WHITE
1000319510	IM/0244/MI/01 > LABEL UNIMOTOR HD + SAFETY	LABEL UNIMOTOR HD + SAFETY
1000318185	IM/0234/MI > LABEL RATING UNIMOTOR HD & U3	LABEL RATING UNIMOTOR HD & U3
1000002189	IM/0071/MI > LABEL RATING BLANK U3 & HD	LABEL RATING BLANK U3 & HD
1000306051	5330262 > LABEL SHAFT WARNING MULTILINGUAL	LABEL SHAFT WARNING MULTILINGU
1000318491	IM/0091/EL/02 > LEAD ENC IND EXI1100 67R	LEAD ENC IND EXI1100 67R
1000317476	IM/0084/EL/01 > LEAD ENC R35I 135mm	LEAD ENC R35I 135mm
1000021722	5250153 > LOCTITE 648 250ML	LOCTITE 648 250ML
1000021731	5250501 > LOCTITE 496 20G	LOCTITE 496 20G
1000317051	IM/0212/MI > MANUAL INSTALLTN UM/FM/HD/ATEX	MANUAL INSTALLTN UM/FM/HD/ATEX
1000302075	IM/0021/EL/02 > SLEEVING VIDAFLEX 7x40mm	SLEEVING VIDAFLEX 7x40mm - PHASE WIRE
1000315684	IM/0021/EL/20 > SLEEVING VIDAFLEX 4x70mm	SLEEVING VIDAFLEX 4x70mm - THERMISTOR
1000003562	IM/0021/EL/35 > SLEEVING VIDAFLEX 2x25 mm	SLEEVING VIDAFLEX 2x25 mm -
1000315025	IM/0021/EL/13 > SLEEVING VIDAFLEX 4x65mm	SLEEVING VIDAFLEX 4x65mm - TYPE 5 BRAKE

The information contained in this data-sheet is for guidance only and does not form part of any contract. The accuracy cannot be guaranteed as our company have an ongoing process of development and reserve the right to change the specification of their products without notice.

Moteurs Leroy-Somer SAS. Siège social : Bd Marcellin Leroy, CS 10015, 16915 Angoulême Cedex 9, France. Capital social : 65 800 512 €, RCS Angoulême 338 567 258. Control Techniques Limited. Registered Office: The Gro, Newtown, Powys SY16 3BE. Registered in England and Wales. Company Reg. No. 01236886.

Repair kits

067-142UD5B/PCON, 067-190UDB/SCON, 067UD/GA, 067UD075/FEF, 067UD/REF, 067UD5/BK.

067UDA300P/HSA, 067UDA300K/HSA, 067UDA600P/HSA, 067UDA600K/HSA,
 067UDA600P/HSA, 067UDA600K/HSA, 067UDA606P/HSA, 067UDA606K/HSA,
 067UDB300P/HSA, 067UDB300K/HSA, 067UDB306P/HSA, 067UDB306K/HSA,
 067UDC300P/HSA, 067UDC300K/HSA, 067UDC306P/HSA, 067UDC306K/HSA,
 067UDC600P/HSA, 067UDC600K/HSA, 067UDC606P/HSA, 067UDC606K/HSA.

067UDBCR/SCON, 067UDBEM/SCON
 067UDCR/FB, 067UDEM/FB

Connectors components

	Assembly	Shell PN	Screw PN	Black Insert PN	White Insert PN	Brown Insert PN
Power	1000318062	1000000952	1000320816 (1)	1000000939	1000000946	X
	1000318063	1000000953	X	1000000940	1000000947	X
	1000000848	1000000954	1000320816 (1)	1000000939	1000000946	X
	1000000849	1000000955	1000320816 (1)	1000000939	1000000946	X
	1000000850	1000000956	X	1000000940	1000000947	X
	1000320277	1000000957	1000320816 (1)	1000000942	1000000948	X
	1000320182	1000000958	1000320816 (1)	1000000943	1000000949	X
	1000000851	1000000959	1000320816 (1)	1000000942	1000000948	X
	1000000852	1000000960	X	1000000943	1000000949	X
	1000000853	1000000961	1000000398 (X3)	1000000944	1000000950	X
1000315751	1000000962	X	1000000944	1000000950	X	
1000000854	1000000963	X	1000000944	1000000950	X	
Signal	1000318066	1000000964	1000320816 (1)	X	X	1000000945
	1000318067	1000000965	X	X	X	X
	1000000855	1000000966	1000320816 (1)	X	X	1000000945
	1000000856	1000000967	X	X	X	X

Work instructions - training records and notes

Connect with us at:

ctdsales@mail.nidec.com

www.controltechniquesdynamics.com



**CONTROL
TECHNIQUES
DYNAMICS**

© Control Techniques Dynamics Ltd. The information contained in this document is for guidance only and does not form part of any contract. The accuracy cannot be guaranteed as our company have an ongoing process of development and reserve the right to change the specification of their products without notice.

Nidec Control Techniques Limited. Registered Office: The Gro, Newtown, Powys SY16 3BE. Registered in England and Wales. Company Reg. No. 01236886.